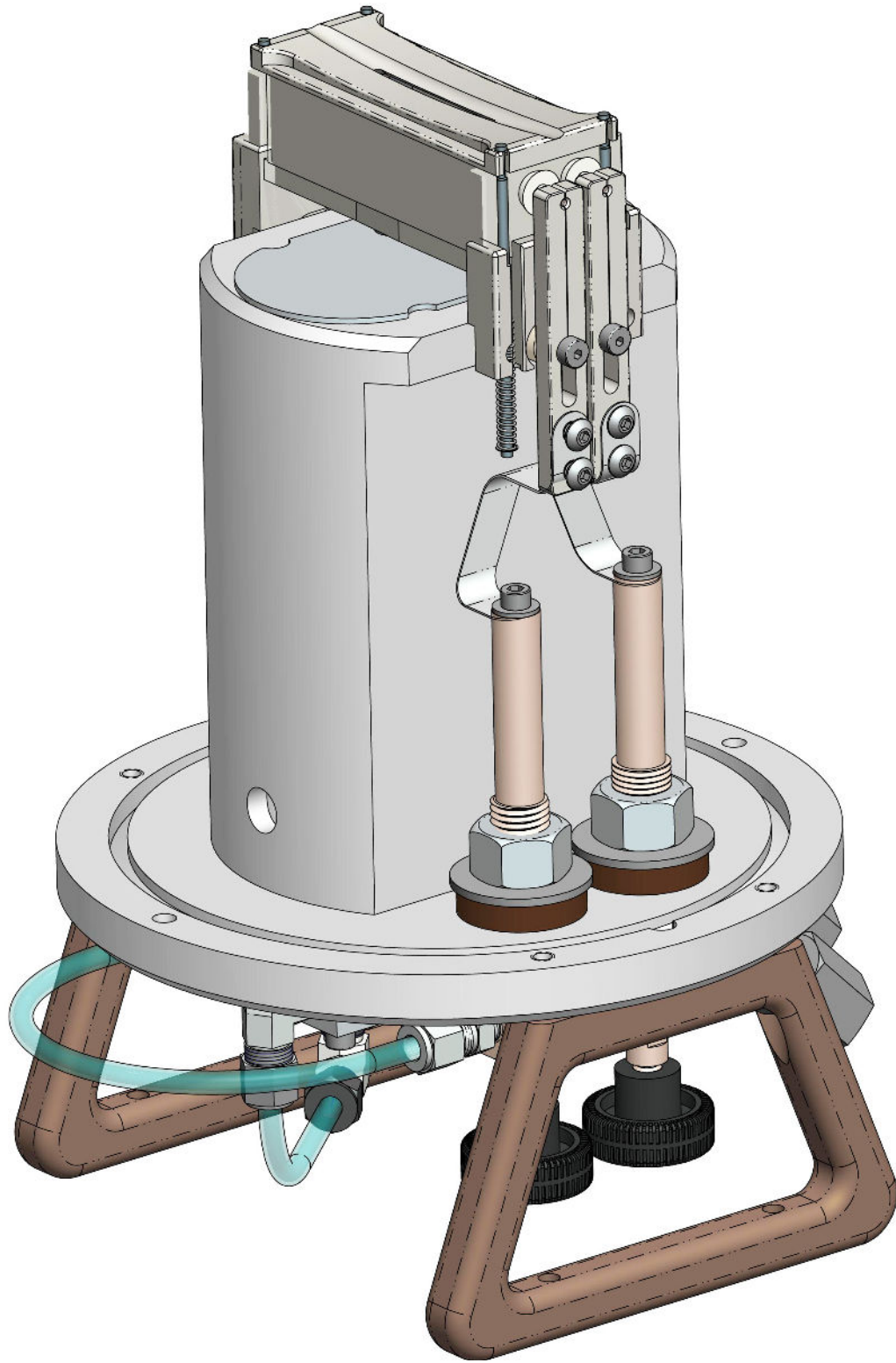
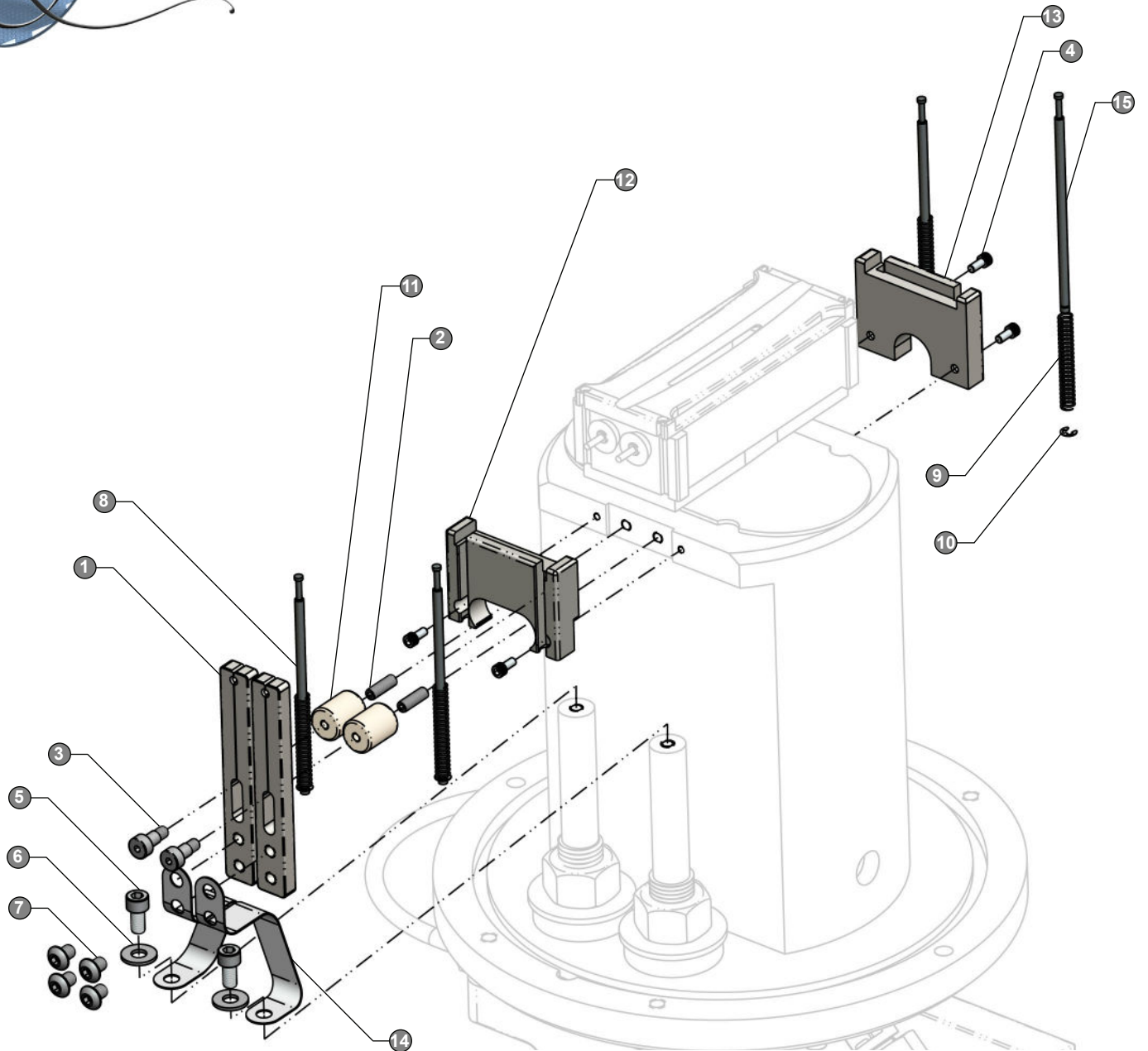




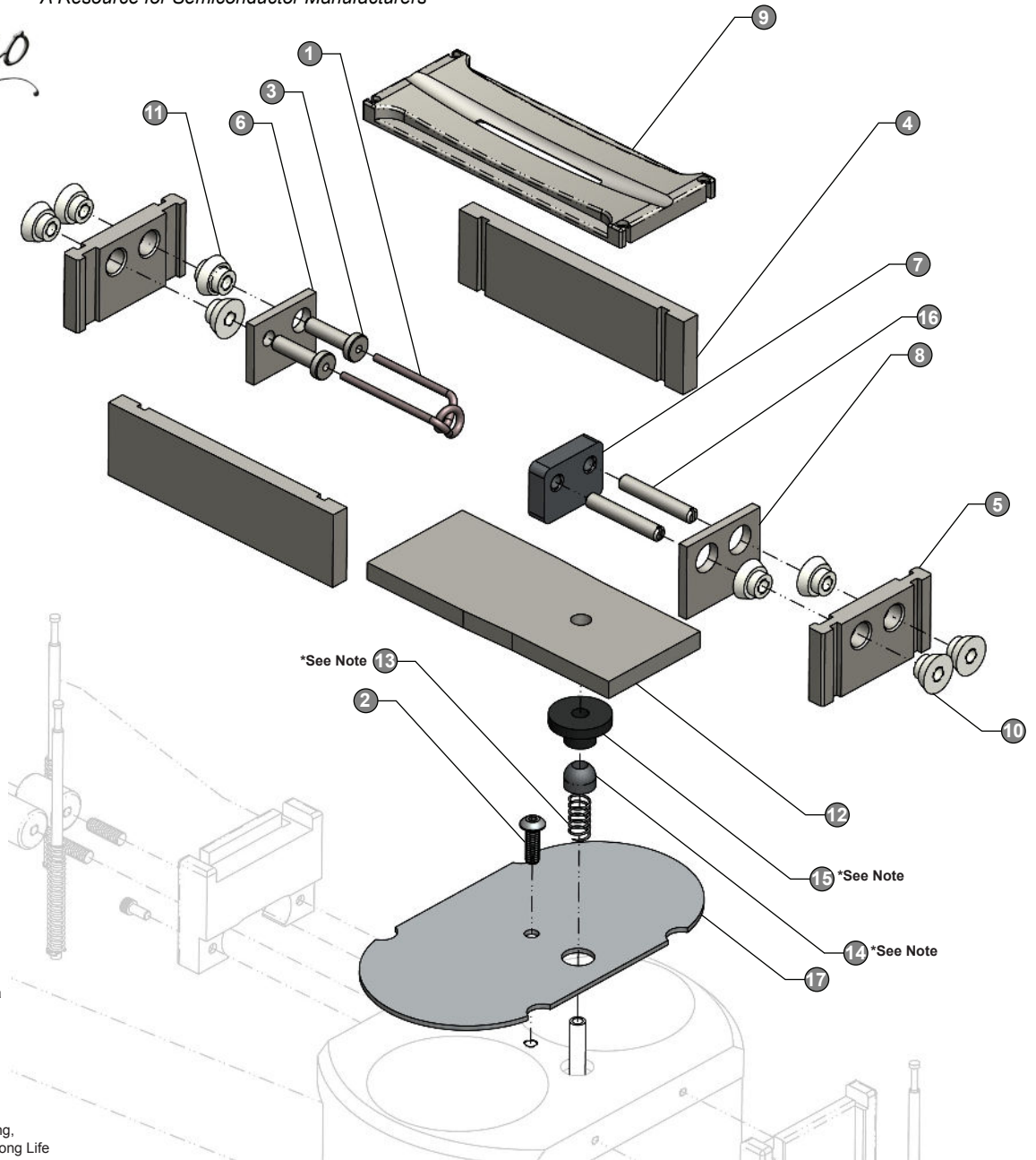
A Resource for Semiconductor Manufacturers




Illustrated Parts Guide for Source (no vaporizer) / NV20A
P/N 99200 / OEM 1154030



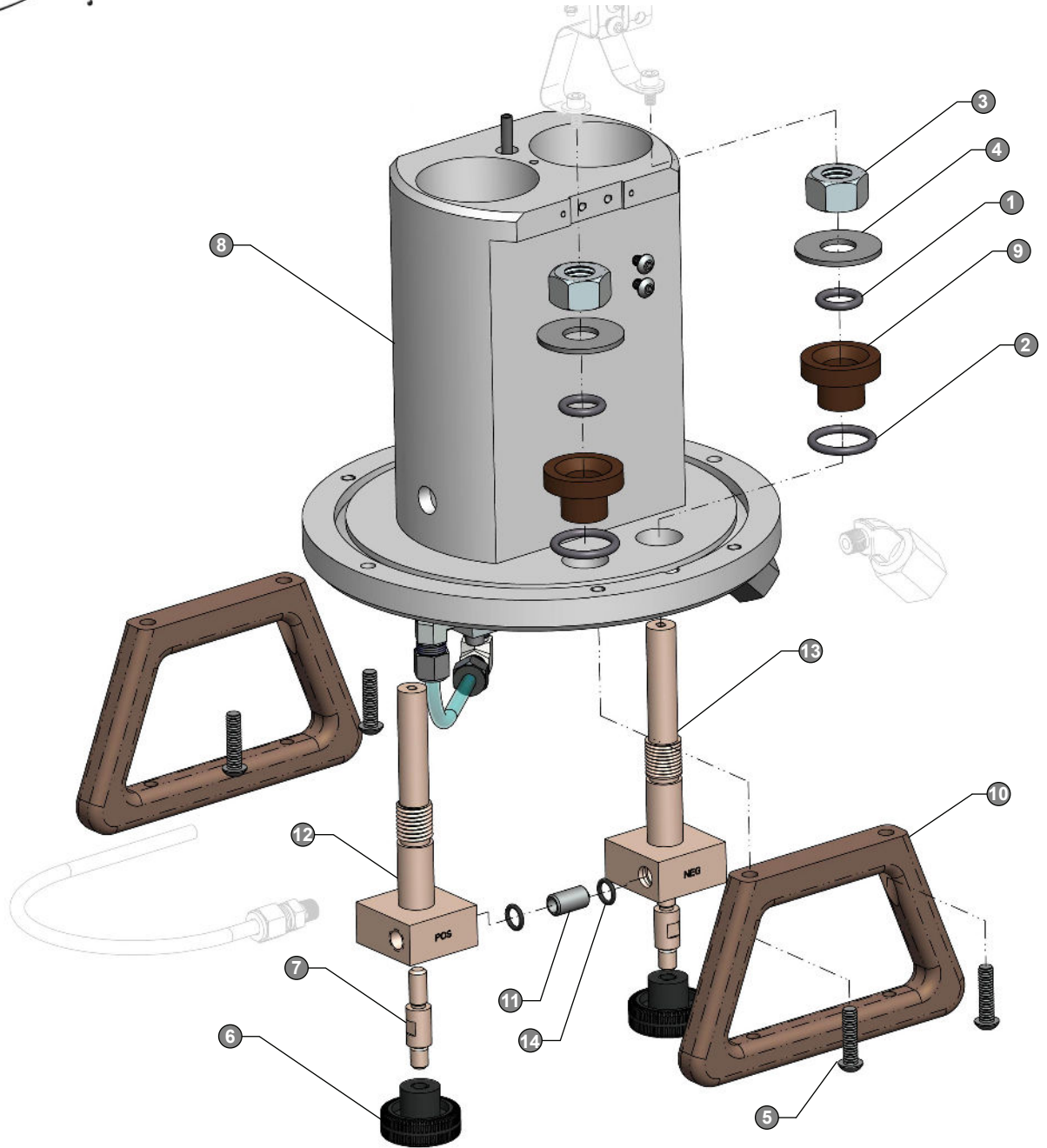


Item	P/N	Description	OEM	QTY
1	40562	Filament Clamp, Molybdenum	17043870	2
2	82127	8-32 X 1/2, Set Screw, 18-8 SST	1236200410	2
3	82285	Shoulder Screw 8-32 .188Ø X .250L SST	4400263	2
4	82385	SHCS 4-40 X 1/4" SST	1236200403	4
5	82439	SHCS 10-32 X 3/8" SST	E47000047	2
6	82478	No. 10 Washer Standard 18-8 SST	8462-0036-0026	2
7	82639	BHSS 10-32 X 1/4" SST	E47000056	4
8	99014	Retainer Pin Assembly	1200080	4
9	99035	Retainer Pin Spring	4000059	4
10	99048	Retaining Ring	4300037	4
11	99052	Ceramic Standoff, 1/2" Dia X 5/8" Long X 8-32 Thread	3420-90090	2
12	99053	Arc Chamber Mounting Block	1789870	1
13	99068	Arc Chamber Mounting Plate	1705030	1
14	99178	Filament Strap	17033170B	2
15	99014-1	Retainer Pin	No Reference	4

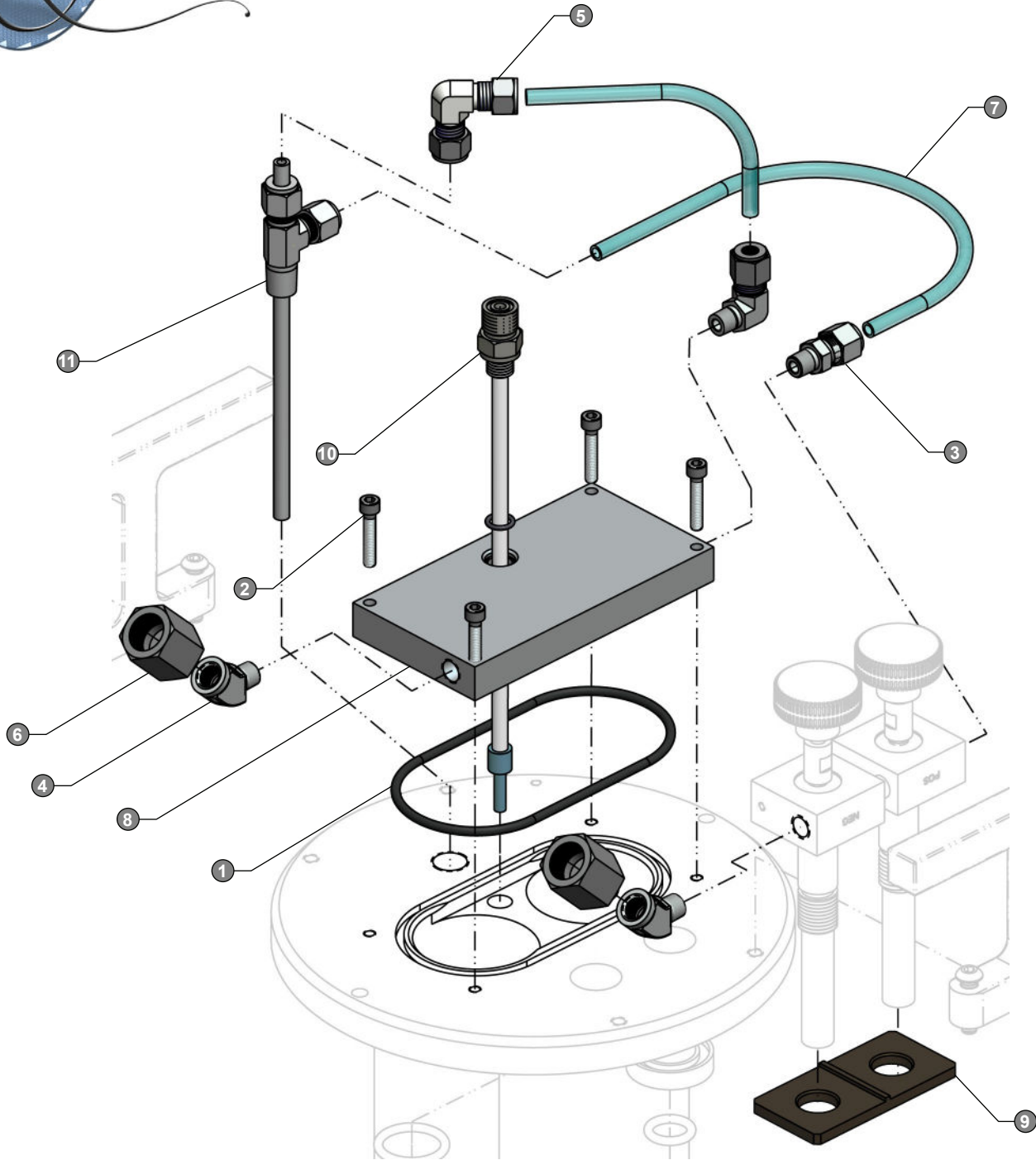


- *Note**
Gas Feed Thru Option
-  **P/N 99177C**
SKT Joint, Alumina
 -  **P/N 99176C**
OEM17287690
Ball Joint, Alumina
 -  **P/N 99664A**
OEM 17270640
Compression Spring,
Gas Feed, GSD, Long Life

Item	P/N	Description	OEM	QTY
1	30670	Pigtail Filament	1789850	1
2	82633	BHSS 8-32 X .50 Long 18-8 SST	4400042	1
3	99002	Filament Insulator Insert, Molybdenum	1200321	2
4	99004	Side Plate, Molybdenum	1704990	2
5	99008	End Plate, Molybdenum	1789810	2
6	99009	Filament Shield, Molybdenum	1789820	1
7	99010	Repeller Plate, Graphite	1789830	1
8	99012	Repeller Shield, Molybdenum	1790420	1
9	99020	Face Plate, Molybdenum	17048870	1
10	99022	Filament Insulator, Ceramic	1708680	7
11	99023	Filament Insulator, Ceramic	1709830	1
12	99064	Single Gas Base Plate	No Reference	1
13	99172	Compression Spring, Stainless	4001301	1
14	99176	Ball Joint, Graphite	17021591	1
15	99177	SKT Joint	17033150	1
16	99234	Repeller Retainer	17072941	2
17	99252	Vaporizer Exit Shield	No Reference	1



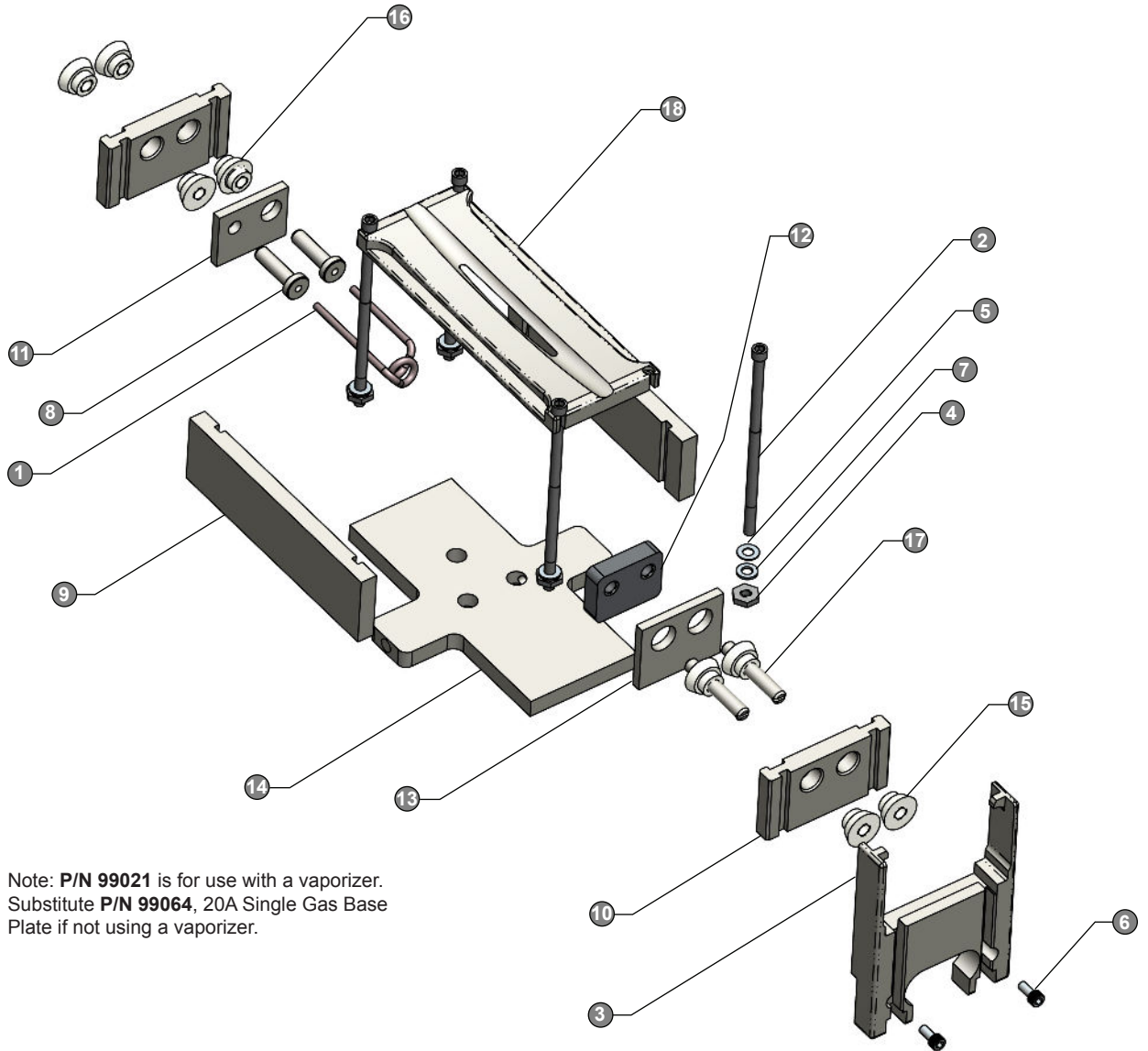
Item	P/N	Description	OEM	QTY
1	82207	O-Ring -208 Buna-N	E35000139	2
2	82210	O-Ring - 214 Buna-N	3500027	2
3	82337	Nut 5/8-11 Hex STNLS	4400006	2
4	82491	Washer Filament Feed-Thru	1700250	2
5	82655	BHSS 1/4"-20 X 1" SST	4500263	4
6	82708	Plastic Fluted Hand Knob	400861	2
7	99120	Threaded Stud	1700220	2
8	99273	Source Body, Aluminum	No Reference	1
9	99324	Feed-Thru Insulator, Vespel ®	17033030	2
10	99326A	Source Handle	17036660	2
11	99327	Feed-Thru Connector, Vespel ®	17033010	1
12	99329	Positive Feed-Thru, Copper	17033021	1
13	99330	Negative Feed-Thru, Copper	17033020	1
14	82912V	O-Ring-012, Viton®	E3500068	2



Item	P/N	Description	OEM	QTY
1	82217	O-Ring -241 Silicone	No Reference	1
2	82442	SHCS 10-32 X 1 SST	4400022	4
3	82527	Fitting, Connector, 1/4", 1/8" Male NPT, 316 SST	3400064	1
4	8A130	Street Elbow, 45 Deg. 1/8 NPTF X 1/8 NPTM, SST	No Reference	2
5	82535	Fitting, Union Elbow, 1/4", 316 SST	3400062	1
6	82538	Fitting, Reducing Adapter, 3/8" To 1/8", 316 SST	5872-0006-0001	2
7	82751	Tube 1/4"ODX.040 Wall LDPE Yellow	7500007	As Needed
8	99251	Vaporizer Blankoff Plate	No Reference	1
9	99325	Insulator, Vespel ®	17033000	1
10	99333	Gas Feed Tube Assembly	17032980	1
11	99335	Cooling Tube Assembly	1200850	1



Arc Chamber Option



14 Note: **P/N 99021** is for use with a vaporizer. Substitute **P/N 99064**, 20A Single Gas Base Plate if not using a vaporizer.

Item	P/N	Description	OEM	QTY
1	30670	Pigtail Filament	1789850	1
2	40556	Retainer Screw, Inconel	6950-0017-0002	4
3	40557	Arc Chamber Mounting Stage	4710-0059-0002	1
4	40559	Retainer Nut, Silver Plated	5053-0031-0001	4
5	82055	Disc Spring .138ID X .281OD SST	8467-0005-0001	4
6	82385	SHCS 4-40 X 1/4" SST	1236200403	2
7	82469	No. 6 Washer, 18-8 SST, .032TH, 5/16 ID, 1/4 OD	8462-0043-0001	4
8	99002	Filament Insulator Insert, Molybdenum	1200321	2
9	99004	Side Plate, Molybdenum	1704990	2
10	99008	End Plate, Molybdenum	1789810	2
11	99009	Filament Shield, Molybdenum	1789820	1
12	99010	Repeller Plate, Graphite	1789830	1
13	99012	Repeller Shield, Molybdenum	1790420	1
14	99021	Base Plate	17036670	1
15	99022	Filament Insulator, Ceramic	1708680	7
16	99023	Filament Insulator, Ceramic	1709830	1
17	99234	Repeller Retainer, Headless Design	17072941	2
18	99020A	Face Plate, Molybdenum	No Reference	1



Additional Options

