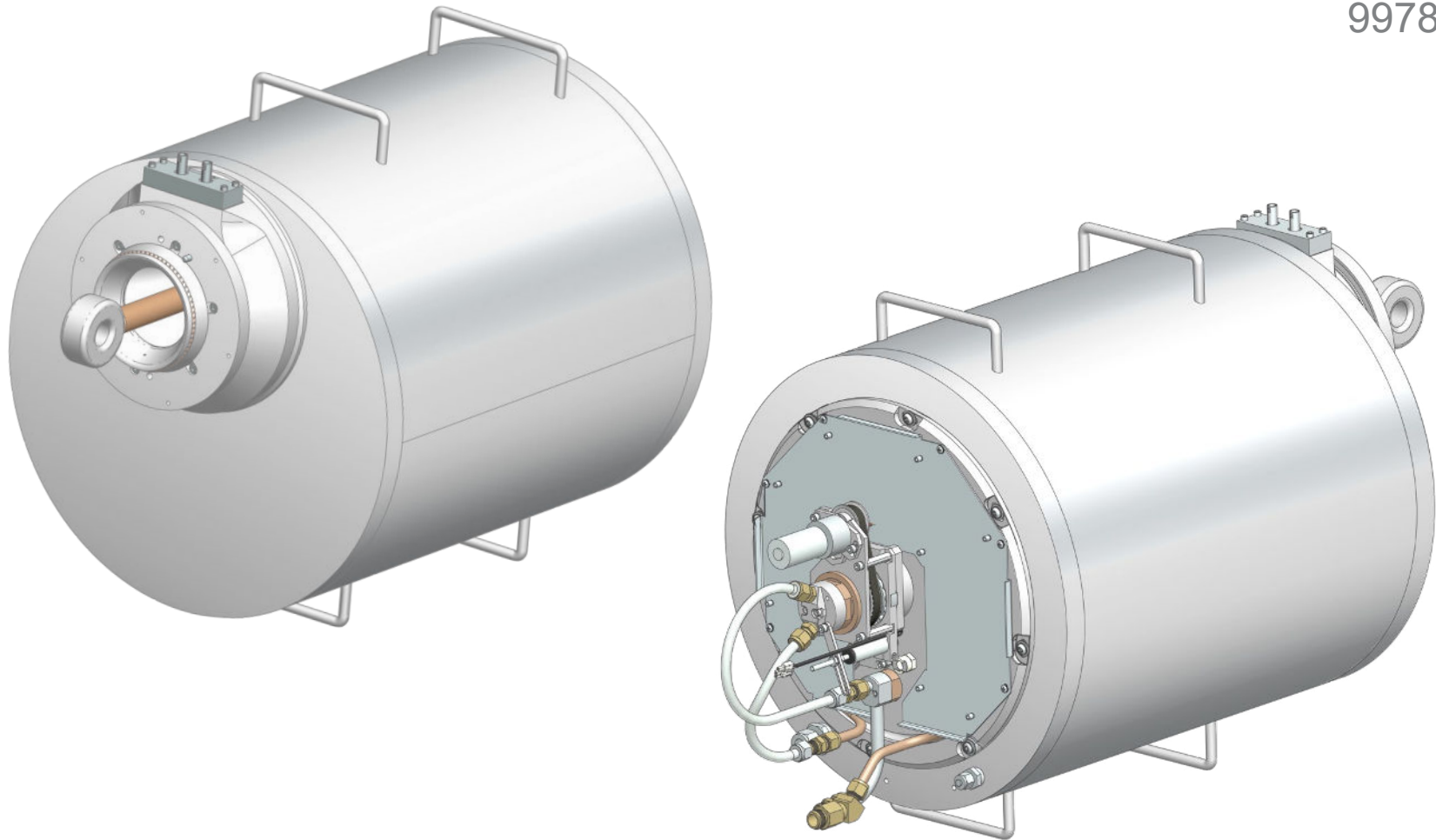






# L-Type Resonator

Axcelis<sup>®</sup> HE3  
99780A



 512.259.0320  
800.621.9598

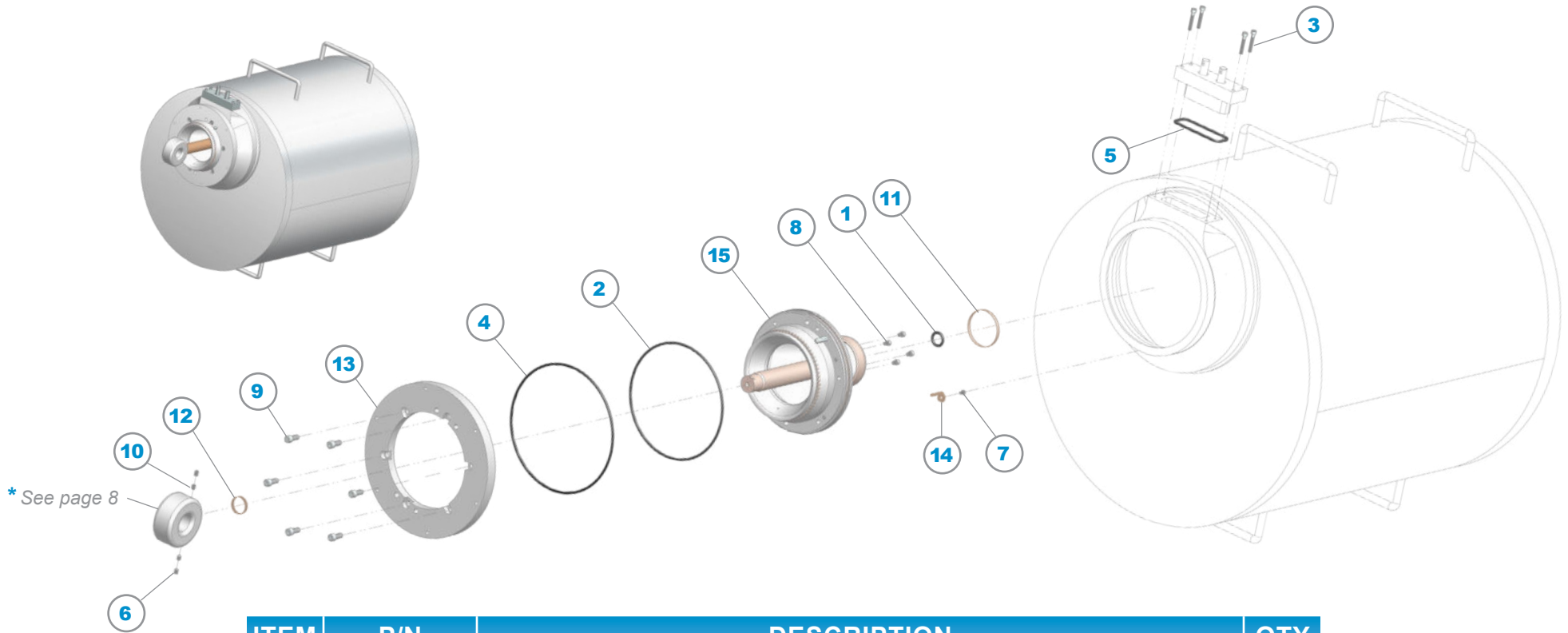
 [glemco.com](http://glemco.com)  
[sales@glemco.com](mailto:sales@glemco.com)

 PO Box 217  
Leander, TX 78646

Glemco<sup>®</sup> - Any unauthorized use and or duplication of any material from this media without express and written permission from Glemco is strictly prohibited.

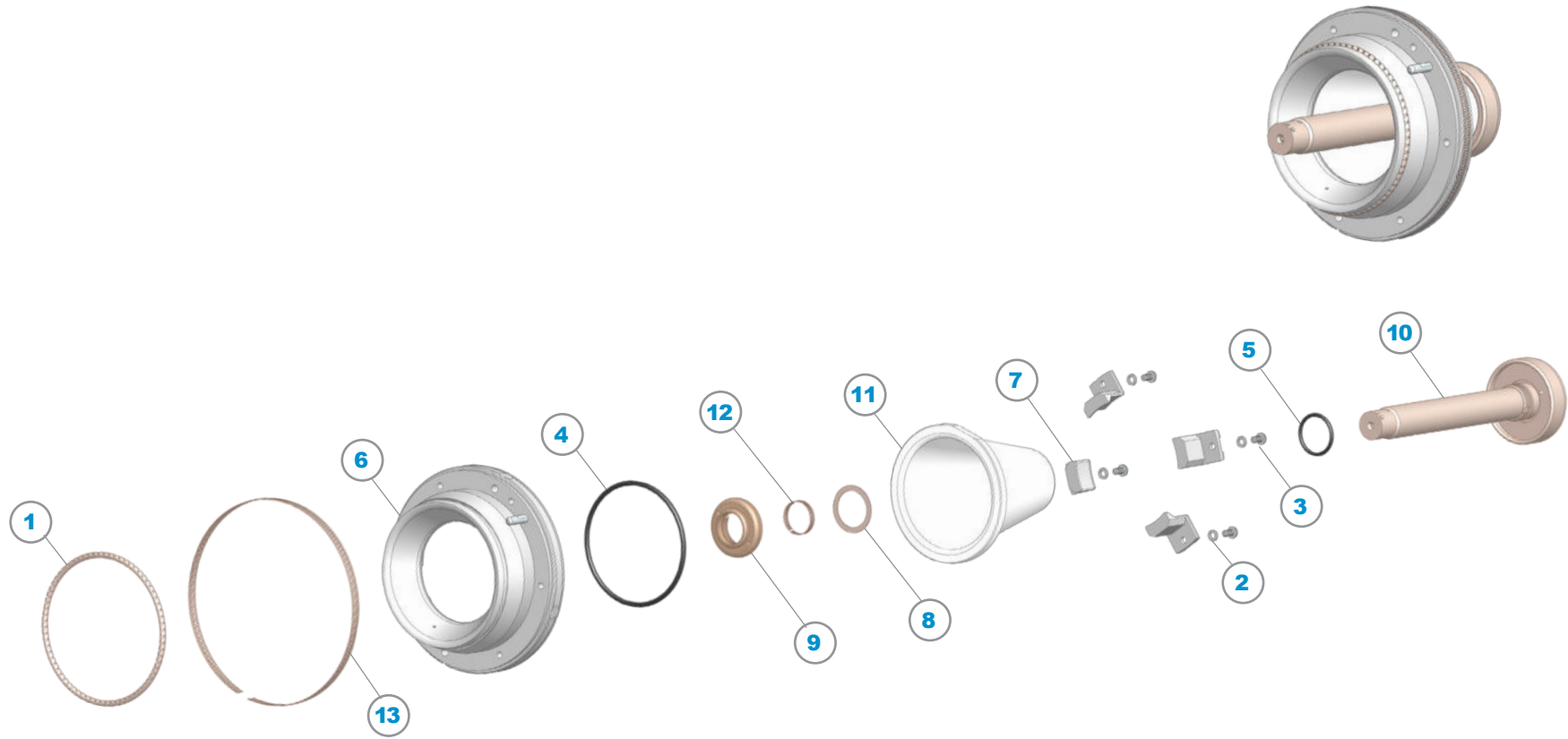
G-30-065PH20 Rev 08

## RF Resonator Components



ITEM	P/N	DESCRIPTION	QTY
1	82207	-208, Buna, O-Ring	1
2	82253V	-257, Viton, O-Ring	1
3	82433	8-32 x 1", SS, SHCS	4
4	8A162V	-260, Viton, O-Ring	1
5	8A221V	-228, Viton, O-Ring	1
6	8A358	10-32 x 1/4", SS, Set Screw, Vented	2
7	8A364	6-32 x 1/4", SS, BHSS, Vented	1
8	8B237	8-32 x 1/4", SS, SHCS, Vented	4
9	8B317	1/4-20 x 5/8", SS, SHCS, Vented	6
10	99778-2	Set Screw, Modified, Inner Locating	2
11	99780-14	Contact Ring, Coil To Cone	1
12	99780-14B	Contact Ring, Electrode To Cone	1
13	99780A-6	Cone Mounting Flange	1
14	99780A-53	Key, Copper	1
15	99780A-S1	RF Cone Assembly	1

# RF Cone Assembly 99780A-S1

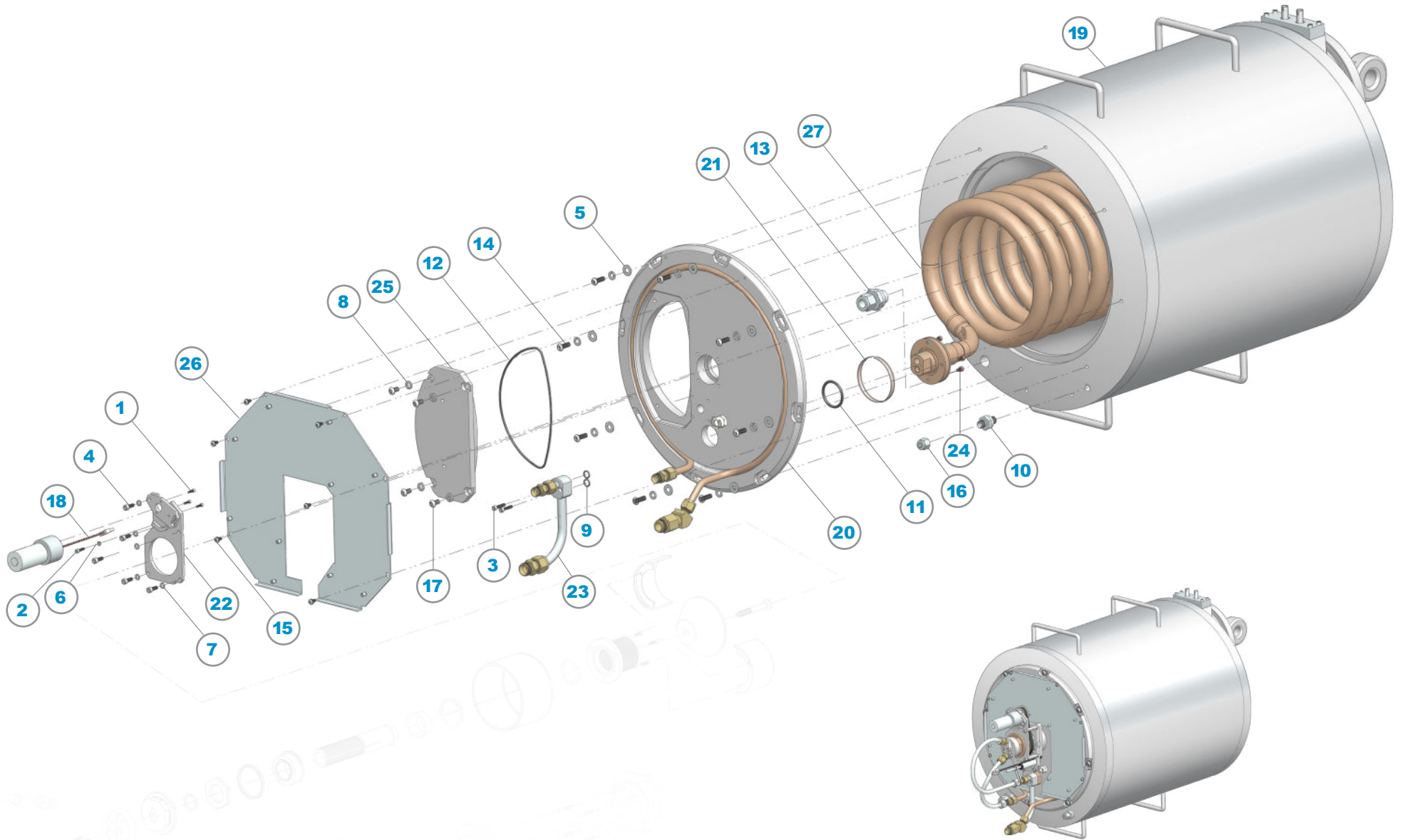


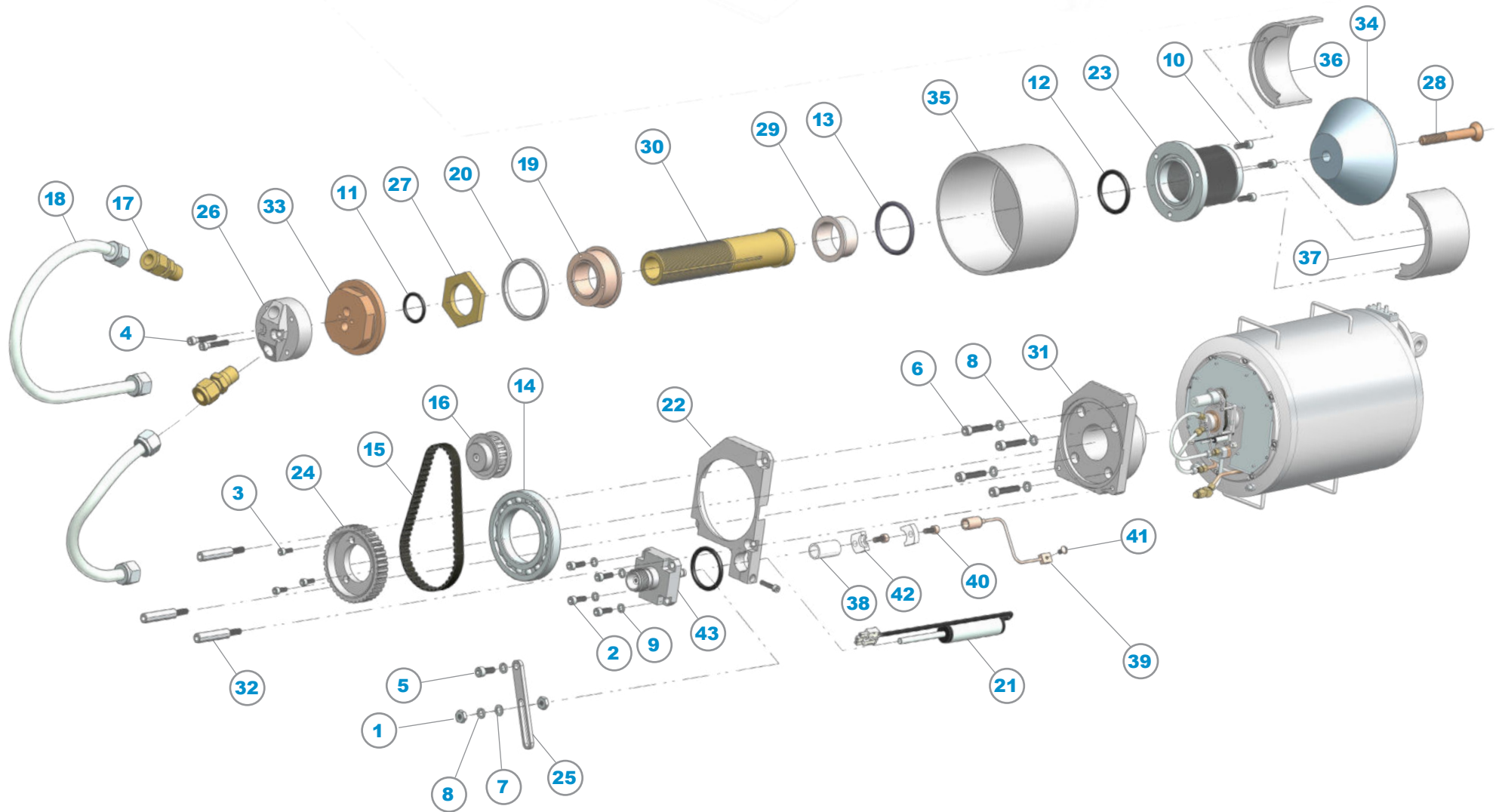
ITEM	P/N	DESCRIPTION	QTY
1	82498	EMI Shielding, 1'	5"
2	82608	#10, .220" ID x .334" OD, SS, Washer, Split, Lock	4
3	8B291	10-32 x 3/8", SS, BHSS, Vented	4
4	8B292	-239, Buna, O-Ring	1
5	8B293	-122, Buna, O-Ring	1
6	99780A-9	Cone Base	1
7	99780A-9-3	Clamp	4
8	99780A-12-3	Sealing Washer	1
9	99780A-12-4	Lock Nut	1
10	99780A-12-S1	Shaft Sub Assembly	1
11	99780A-13	RF Cone	1
12	99780A-14C	Contact Ring, Base	1
13	99780A-15	Contact Ring, Body	1



## RF Resonator Components

ITEM	P/N	DESCRIPTION	QTY
1	82387	4-40 x 3/8", SS, SHCS	3
2	82415	6-32 x 1/2", SS, SHCS	1
3	82431	8-32 x 3/4" SS, SHCS	2
4	82440	10-32 x 1/2", SS, SHCS	5
5	82486	.281" ID x .625" OD, SS, Washer, Flat	8
6	82606	#6, .148" ID x .250" OD, SS, Washer, Split, Lock	1
7	82608	#10, .220" ID x .334" OD, SS, Washer, Split, Lock	5
8	82610	.260" ID .487" OD, SS, Washer, Split, Lock	12
9	82912	-012, Buna, O-Ring	2
10	8A113	1/4" Tube To 7/16"-20 Thread, SS, Male Connector Fitting, <i>Includes a -111 O-Ring</i>	1
11	8A926	-220, Buna, O-Ring	1
12	8B318	-162, Buna, O-Ring	1
13	8B358	1/2" Tube, SS, Male Connector Fitting	1
14	8B359	1/4-20 x 3/4", SS, BHSS	8
15	8B360	8-32 x 5/16", SS, PHPS, With Lock Washer	6
16	8B361	1/4" Tube, SS, Fitting Plug	1
17	8B362	1/4-20 x 1/2", SS, BHSS	4
18	99780-30	Motor Assembly	1
19	99780A-1	Canister Body	1
20	99780A-2	Canister Flange	1
21	99780A-15A	Contact Ring, Inner	1
22	99780A-37	Motor Bracket Assembly	1
23	99780A-49	Manifold	1
24	99780A-52	8-32 x 1/4", Plated, SHCS, Vented	4
25	99780A-54	Access Port Flange	1
26	99780A-55	Control Board Mounting Plate	1
27	99780A-S2	Coil Assembly	1



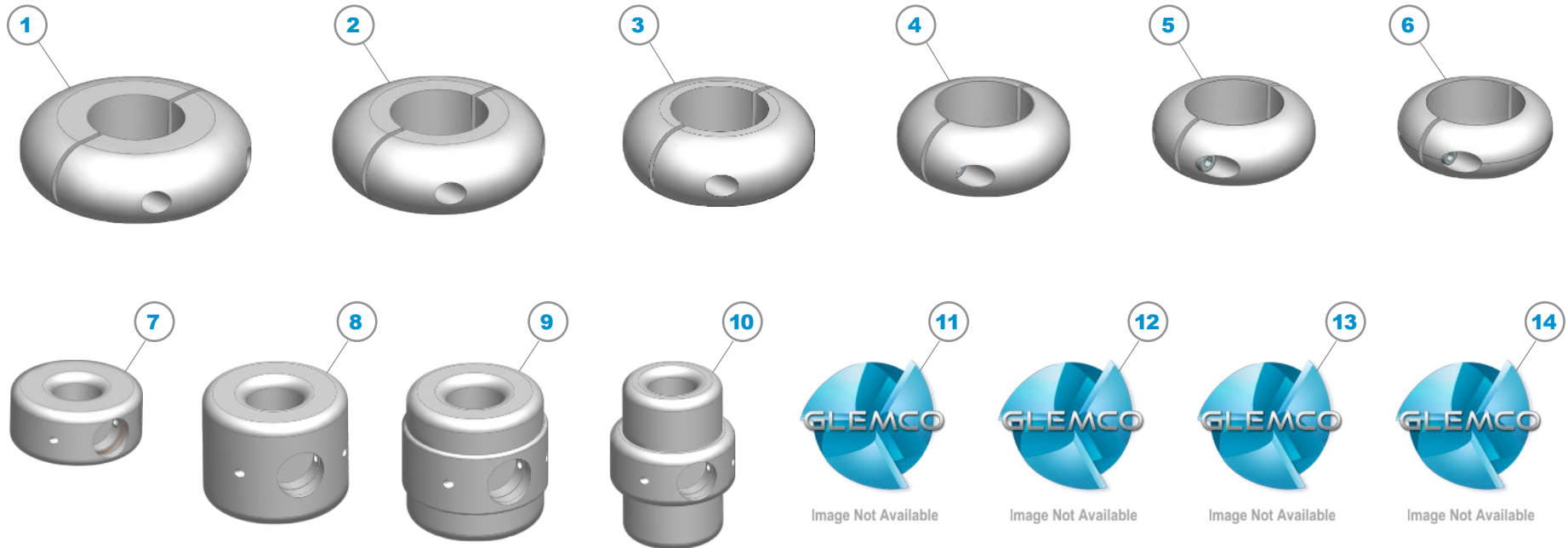




## RF Resonator Components

ITEM	P/N	DESCRIPTION	QTY
1	82299	10-32 x 3/8", SS, Hex Nut	2
2	82395	8-32 x 1/2", SS, SHCS	4
3	82411	6-32 x 3/8", SS, SHCS	3
4	82433	8-32 x 1", SS, SHCS	2
5	82440	10-32 x 1/2", SS, SHCS	1
6	82442	10-32 x 1", SS, SHCS	4
7	82480	#10 x .195" ID, SS, Washer, Flat	1
8	82608	#10, .220" ID x .334" OD, SS, Washer, Split, Lock	6
9	82609	#8, .174" ID x .293" OD, SS, Washer, Split, Lock	4
10	82736	8-32 x 1/2", SS, SHCS, Vented	3
11	8A195	-117, Buna, O-Ring	1
12	8A226	-217, Buna, O-Ring	2
13	8A278	-222, Buna, O-Ring	1
14	8A325	2.95" OD x 1.77" ID, SS, Roller Bearing	1
15	8B295	.200 Pitch, 60 Grooves, NEO, Timing Belt	1
16	8B299	.200 (XL), 3/8" Belt, 20 Groove, Timing Belt Pulley	1
17	8B306	3/8" Tube, 1/4 NPT, Brass, Male Connector Fitting	2
18	8B444	3/8 x .048 Wall, Nylon, Tubing	2"
19	99780-24	Drive Bushing Bearing Mount	1
20	99780-25	Bearing Positioning Ring	1
21	99780-31	Linear Potentiometer Assembly	1
22	99780A-4	Gear Bracket Assembly	1
23	99780A-5	Bellows Assembly	1
24	99780A-26	Drive Pulley	1
25	99780A-27	Encoder Arm	1
26	99780A-32	Water Cooling Adapter	1
27	99780A-33	Jam Nut	1
28	99780A-34	5/16-18 x 2.5", Cu, FHSS	1
29	99780A-35	Bushing	1
30	99780A-36	Plunger, Core	1
31	99780A-38	Tuning Cap Base	1
32	99780A-39	Stand Off	3
33	99780A-40	Adapter	1
34	99780A-41	Tuning Cap Core	1
35	99780A-42	Cap, Tuning	1
36	99780A-43-1	Bellows Shield, Left	1
37	99780A-43-2	Bellows Shield, Right	1
38	99780A-44	Sleeve	1
39	99780A-45	RF Coupler	1
40	99780A-46	8-32 x 3/8", Plated, SHCS, Vented	2
41	99780A-47	Bolt, Cu, Modified, Slotted	1
42	99780A-48	RF Coupler Isolation Retainer	2
43	99891-17	Feed-Thru Assembly	1

## RF Padding Caps & Electrodes



ITEM	P/N	DESCRIPTION
1	99780-11A	Padding Cap 60mm
2	99780-11B	Padding Cap 55mm
3	99780-11C	Padding Cap 50mm
4	99780-11D	Padding Cap 45mm
5	99780-11E	Padding Cap 42.5mm
6	99780-11F	Padding Cap 40mm
7	99780A-51	RF Electrode, CV1-2
8	99780A-57	RF Electrode, CV6
9	99780A-58	RF Electrode, CV7
10	99780A-59	RF Electrode, CV8
11	99780A-60	RF Electrode, CV9
12	99780A-61	RF Electrode, CV10
13	99780A-62	RF Electrode, CV11
14	99780A-63	RF Electrode, CV12