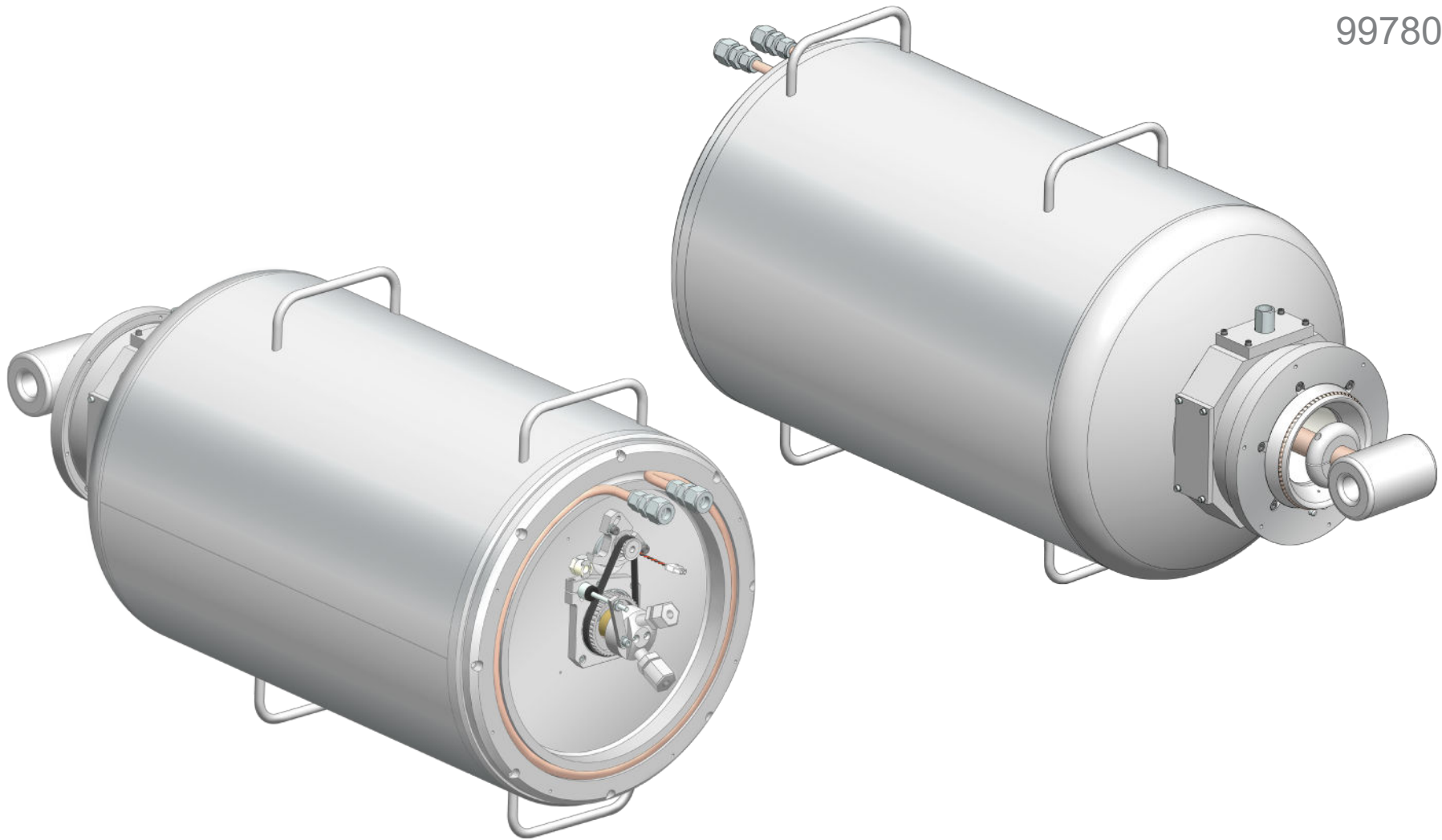




C-Type Resonator


Axcelis[®] HE-VHE

99780



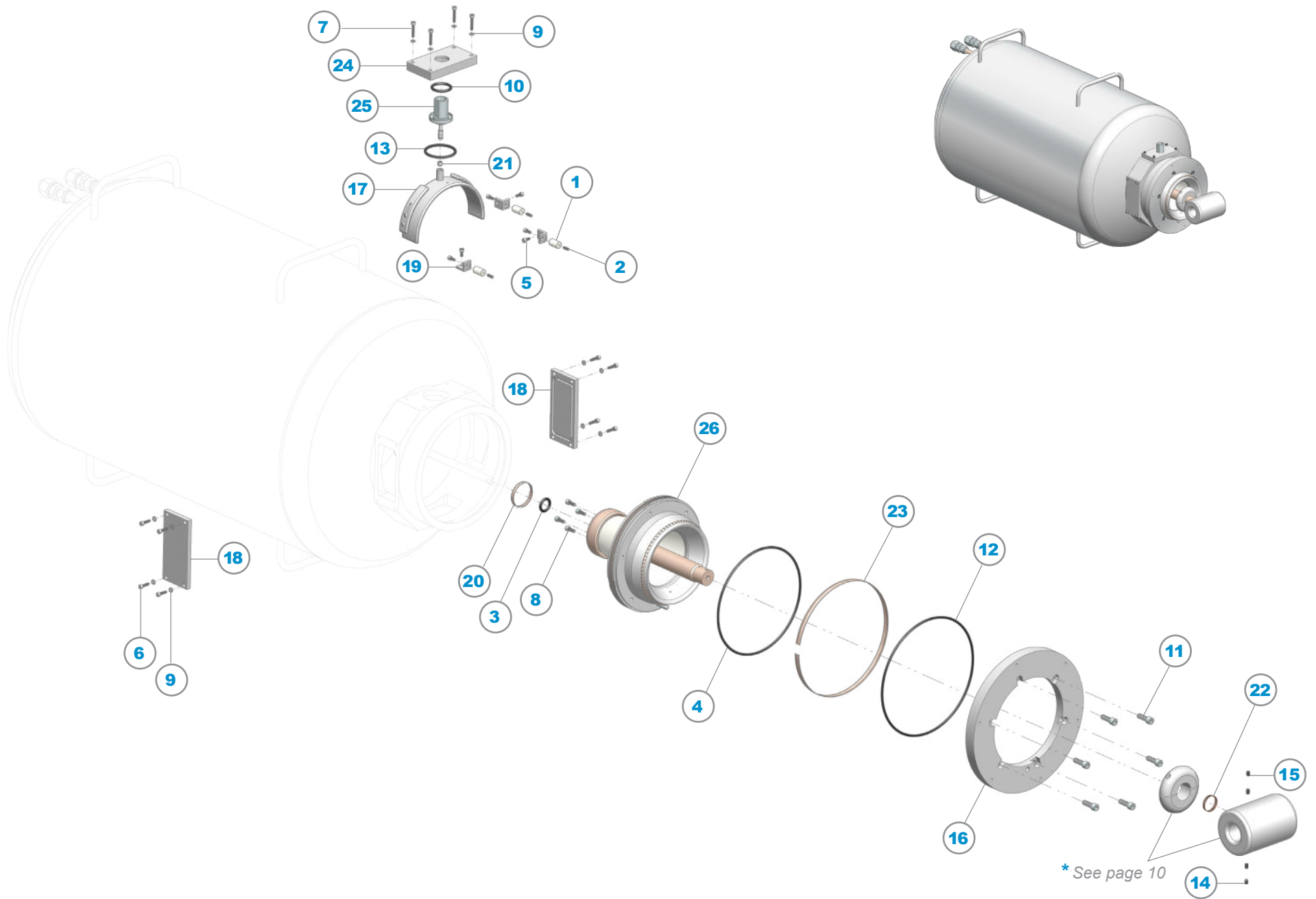
 512.259.0320
800.621.9598

 glemco.com
sales@glemco.com

 PO Box 217
Leander, TX 78646

Glemco[®] - Any unauthorized use and or duplication of any material from this media without express and written permission from Glemco is strictly prohibited.

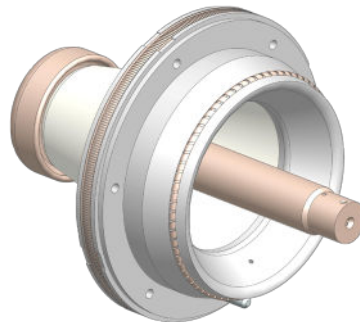
G-30-020AH12 Rev 12



RF Resonator Components

ITEM	P/N	DESCRIPTION	QTY
1	30682	6-32 x 3/8" Ø x 5/8", Ceramic Standoff	3
2	82118	6-32 x 3/8" SS, Set Screw	3
3	82207V	-208, Viton, O-Ring	1
4	82253V	-257, Viton, O-Ring	1
5	82413	6-32 x 5/16", SS, SHCS	6
6	82415	6-32 x 1/2", SS, SHCS	8
7	82421	6-32 x 3/4", SS, SHCS	4
8	82428	8-32 x 7/16", SS, SHCS	4
9	82469	#6 x .032, SS, Washer, Flat	12
10	83112V	-212, Viton, O-Ring	1
11	8A094	8-32 x 3/4", SS, SHCS, Vented	6
12	8A162V	-260, Viton, O-Ring	1
13	8A278	-222, Buna, O-Ring	1
14	8A358	10-32 x 1/4", SS, Set Screw, Vented	2
15	99778-2	Set Screw, Modified, Inner Locating	2
16	99780-6	Mounting Flange, RF Cone	1
17	99780-7	Antenna Assembly	1
18	99780-8	Blank-Off Flange	2
19	99780-10	Bracket, Antenna Assembly	3
20	99780-14	Contact Ring, RF Cone to Coil	1
21	99780-14A	Contact Ring, Antenna	1
22	99780-14B	Contact Ring, Electrode to RF Cone	1
23	99780-15	Contact Ring, RF Cone to Body	1
24	99780-17	Flange, Antenna Feedthrough	1
25	99780-29	Feedthrough Assembly, Antenna	1
26	99780-S1	RF Cone Assembly	1

RF Cone Assembly Refurbishment Options



99780-S1R2 - No Hardware

- Unit is cleaned and decontaminated.
- New cone, new contact ring, and new EMI shielding are installed.
- All other parts are reused, electrode hardware not provided.
- Final leak check report provided.

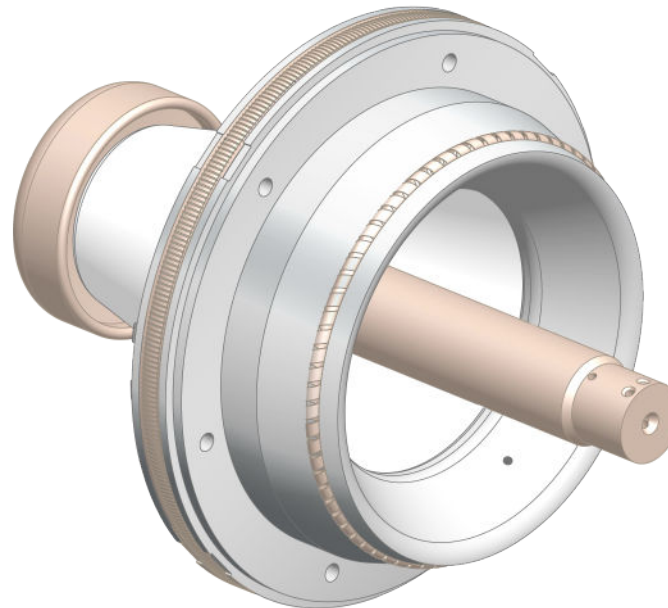
99780-S1R3 - With Electrode Hardware

- Unit is cleaned and decontaminated.
- New cone, new contact ring, and new EMI shielding are installed.
- Electrode hardware is included and all other parts are reused.
- Final leak check report provided.

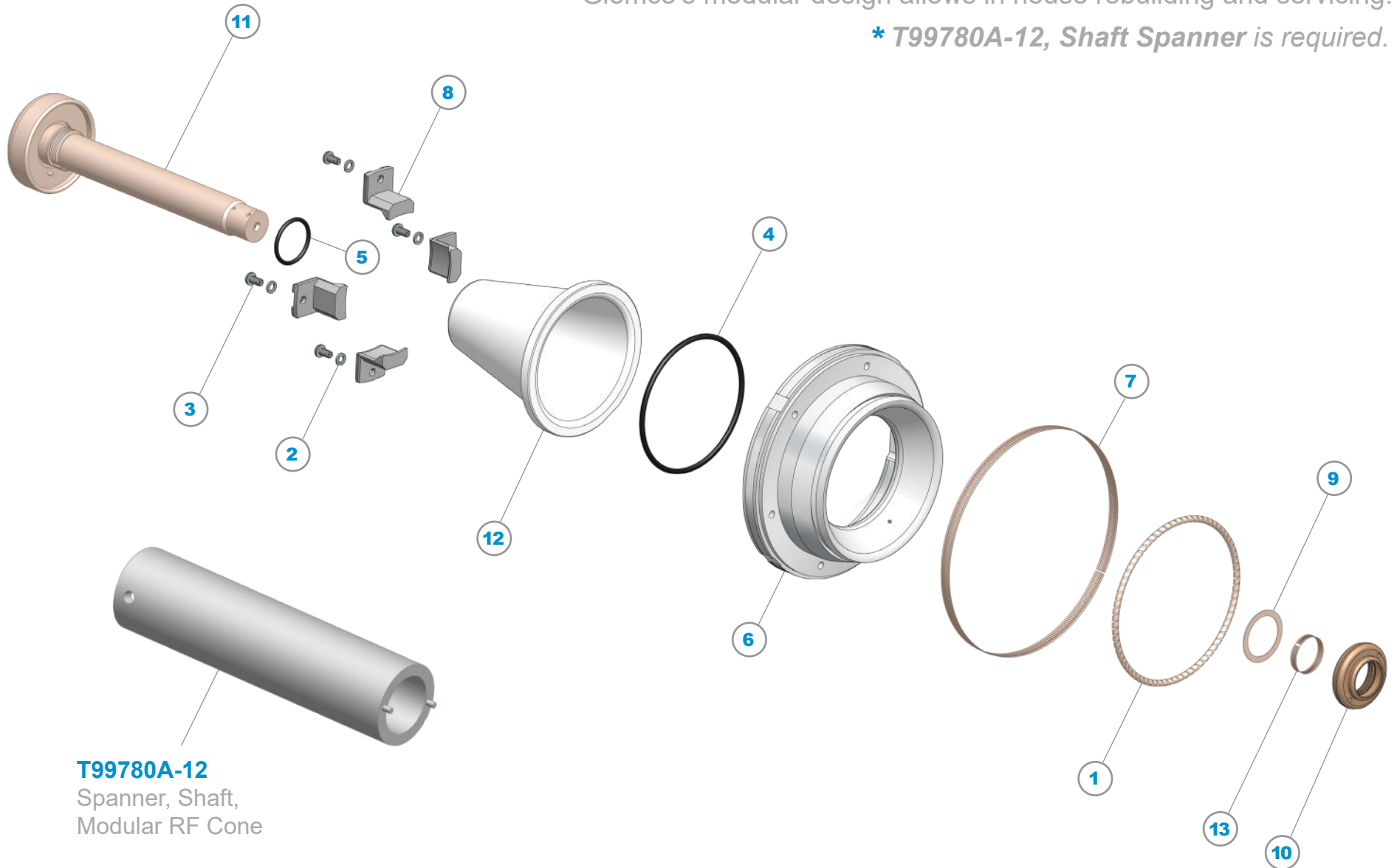
An RMA number must be issued to order, please call or email customer service @ 800-621-9598, sales@glemco.com.

200mm Modular Resonator Cone Assembly

ITEM	P/N	DESCRIPTION	QTY
1	82498	EMI Shielding, 1"	5 inches
2	82608	#10, .220" ID x .334" OD, SS, Washer, Split, Lock	4
3	8B291	10-32 x 3/8", SS, BHSS, Vented	4
4	8B292	-239, Buna, O-Ring	1
5	8B293	-122, Buna, O-Ring	1
6	99780-9B	Base, Modular RF Cone	1
7	99780-15	Contact Ring, RF Cone to Body	1
8	99780A-9-3	Clamp, Modular RF Cone	4
9	99780A-12-3	Sealing Washer, Modular RF Cone	1
10	99780A-12-4	Lock Nut, Modular RF Cone	1
11	99780A-12-S1	Shaft, Modular RF Cone	1
12	99780A-13	Insulator, Modular RF Cone	1
13	99780A-14C	Contact Ring, Lock Nut, Modular RF Cone	1



Glemco's modular design allows in house rebuilding and servicing.
 * T99780A-12, Shaft Spanner is required.

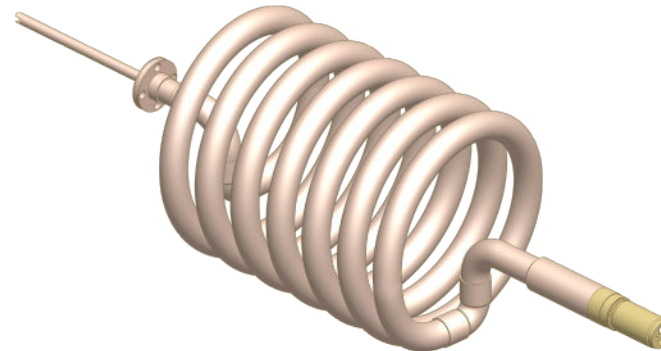


T99780A-12
 Spanner, Shaft,
 Modular RF Cone

RF Resonator Components

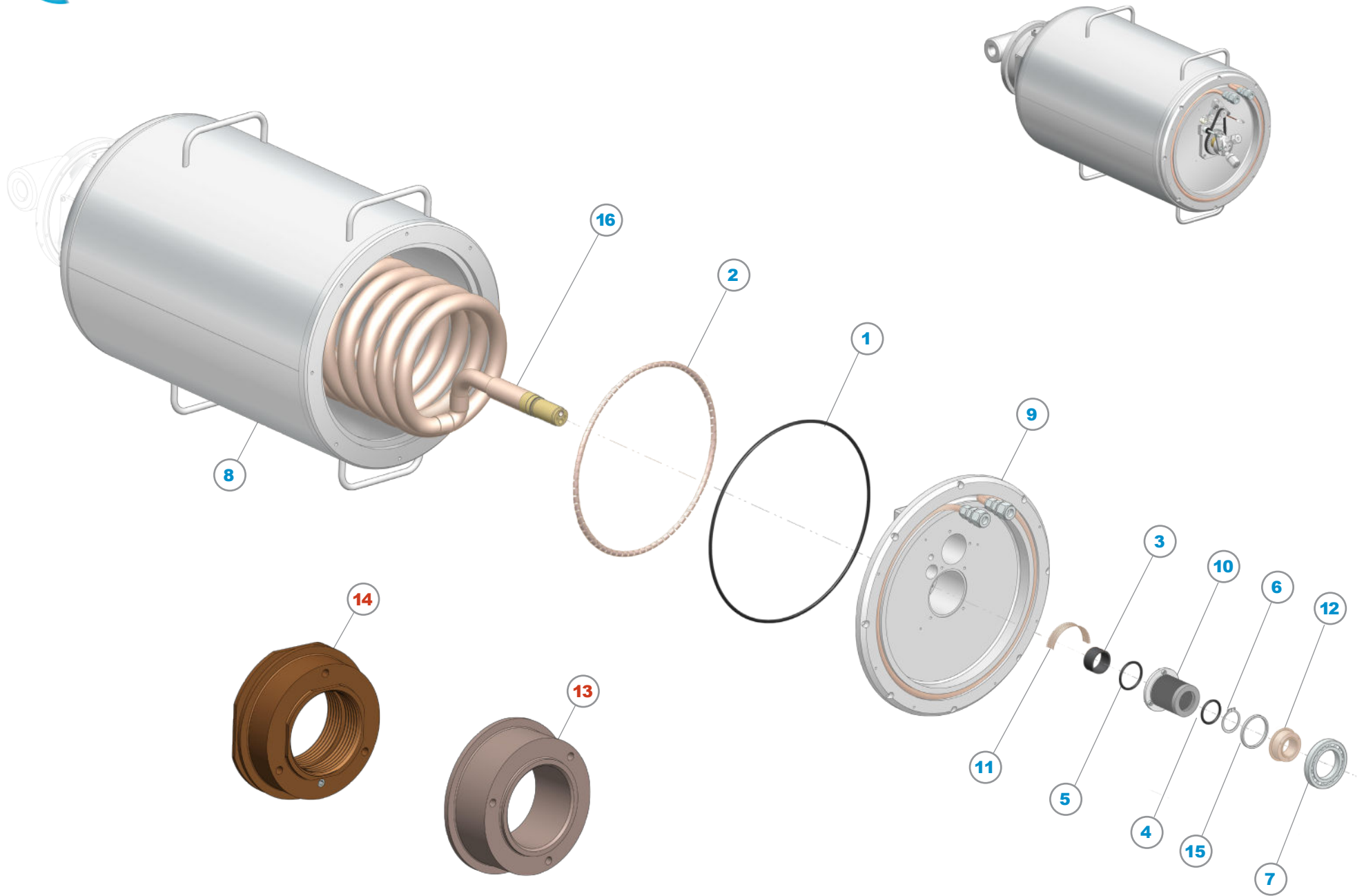
ITEM	P/N	DESCRIPTION	QTY
1	82257V	-381, Viton, O-Ring	1
2	82498	EMI Shielding, 1"	32 inches
3	82687	Bushing, Graphite Coated	1
4	8A226	-217, Buna, O-Ring	1
5	8A278	-222, Buna, O-Ring	1
6	8A324	1.25Ø Shaft, 1.176Ø Groove, Retaining Ring, Exterior	1
7	8A325	2.95" OD x 1.77" ID, SS, Roller Bearing	1
8	99780-1	Body	1
9	99780-2	End Cap	1
10	99780-5	Bellows, with Screws	1
11	99780-16	Contact Ring, Flange to Coil	1
12	99780-24	Drive Nut	1
13	99780-24A	Drive Nut, Enhanced - Composite prevents metal to metal galling	
14	99780-24B	Drive Nut, Anti-Backlash - Spring loaded to remove backlash	
15	99780-25	Bearing Spacer Ring	1
16	99780-S2	RF Coil Assembly	1

RF Coil Assembly Refurbishment 99780-S2R



Drive thread is replaced, coil pitch is corrected, and all surfaces are reconditioned to ensure RF continuity.

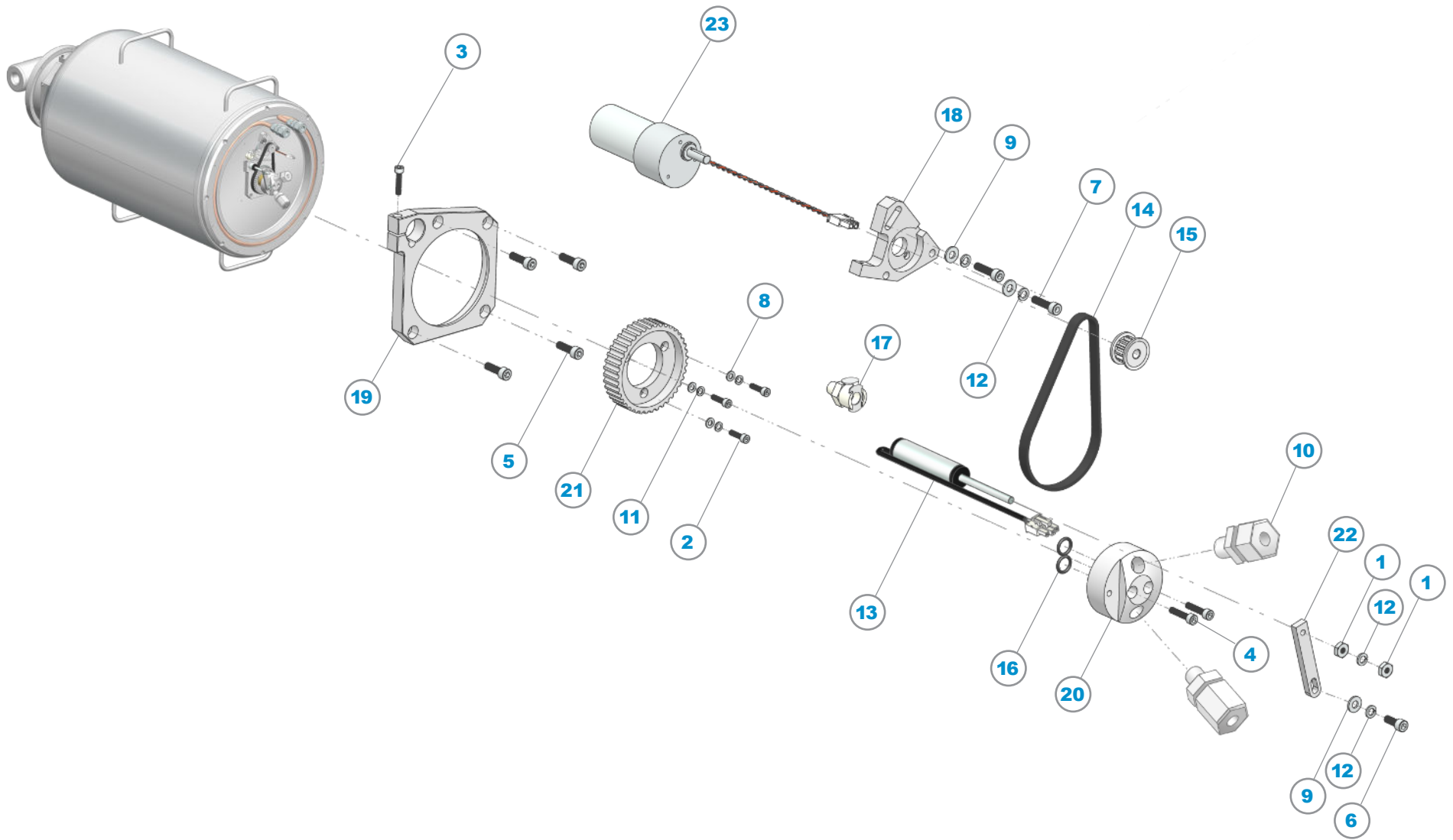
An RMA number must be issued to order, please call or email customer service @ 800-621-9598, sales@glemco.com.





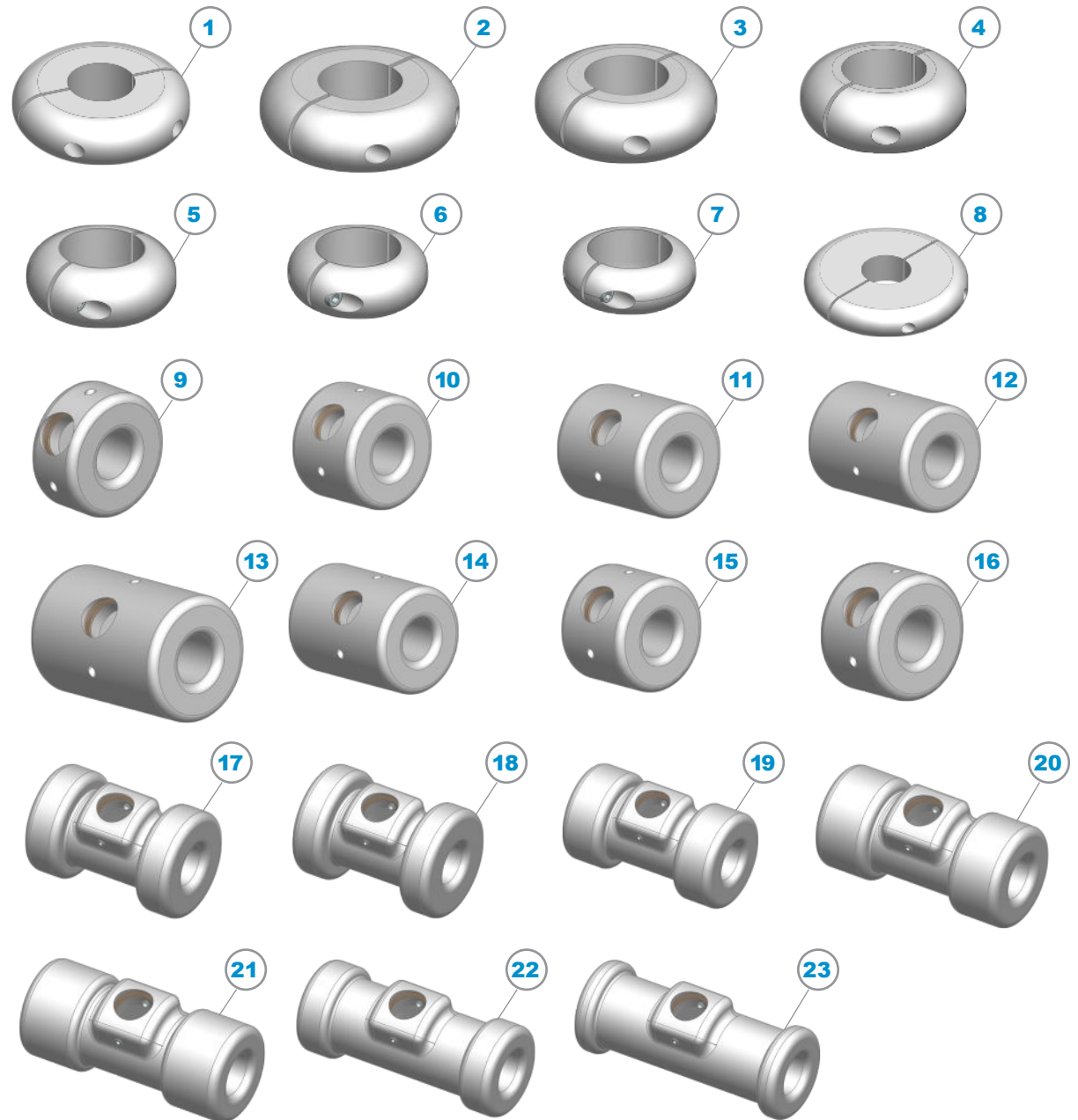
RF Resonator Components

ITEM	P/N	DESCRIPTION	QTY
1	82299	10-32 x 3/8", SS, Hex Nut	2
2	82415	6-32 x 1/2", SS, SHCS	3
3	82420	6-32 x 5/8", SS, SHCS	1
4	82431	8-32 x 3/4", SS, SHCS	2
5	82436	10-32 x 5/8", SS, SHCS	4
6	82440	10-32 x 1/2", SS, SHCS	1
7	82441	10-32 x 3/4", SS, SHCS	2
8	82469	#6 x .032, SS, Washer, Flat	3
9	82478	#10 x .032, SS, Washer, Flat	3
10	82572	Tube To Pipe, Thermoplastic, Male Connector Fitting	2
11	82606	#6, .148" ID x .250" OD, SS, Washer, Split, Lock	3
12	82608	#10, .220" ID x .334" OD, SS, Washer, Split, Lock	4
13	82685	Linear Potentiometer Encoder	1
14	82689	Drive Belt	1
15	82690	Pulley, Drive Motor	1
16	82912V	-012, Viton, O-Ring	2
17	8A355	SF6 Fitting, PolyPro	1
18	99780-3	Drive Motor Mounting Bracket	1
19	99780-4	Gear Bracket	1
20	99780-23	Cooling Adapter	1
21	99780-26	Pulley, Drive Nut	1
22	99780-27	Encoder Arm	1
23	99780-30	Drive Motor Assembly	1



RF Padding Caps & Electrodes

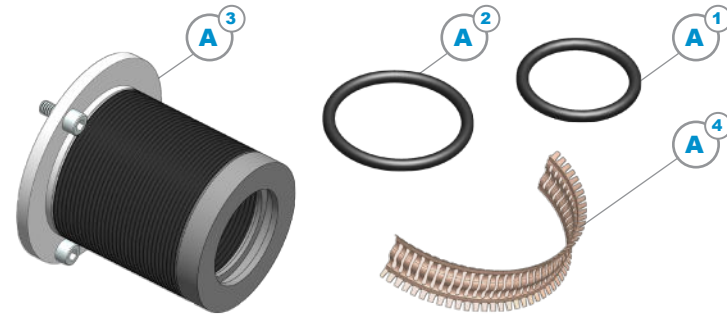
ITEM	P/N	DESCRIPTION
1	99780-11	Padding Cap 66.5mm
2	99780-11A	Padding Cap 60mm
3	99780-11B	Padding Cap 55mm
4	99780-11C	Padding Cap 50mm
5	99780-11D	Padding Cap 45mm
6	99780-11E	Padding Cap 42.5mm
7	99780-11F	Padding Cap 40mm
8	99780-11H	Padding Cap 83.8mm
9	99778	RF Electrode, CV1-3
10	99778A	RF Electrode, CV4
11	99778B	RF Electrode, CV5
12	99778C	RF Electrode, CV6
13	99778D	RF Electrode, CV9
14	99778E	RF Electrode, CV10
15	99778F	RF Electrode, CV5-8
16	99778H	RF Electrode, CV4
17	99778J	RF Electrode, CV9
18	99778K	RF Electrode, CV7-8
19	99778L	RF Electrode, CV10
20	99778N	RF Electrode, CV11
21	99778P	RF Electrode, CV12
22	99778Q	RF Electrode, CV13
23	99778R	RF Electrode, CV14



Replacement Part Kits

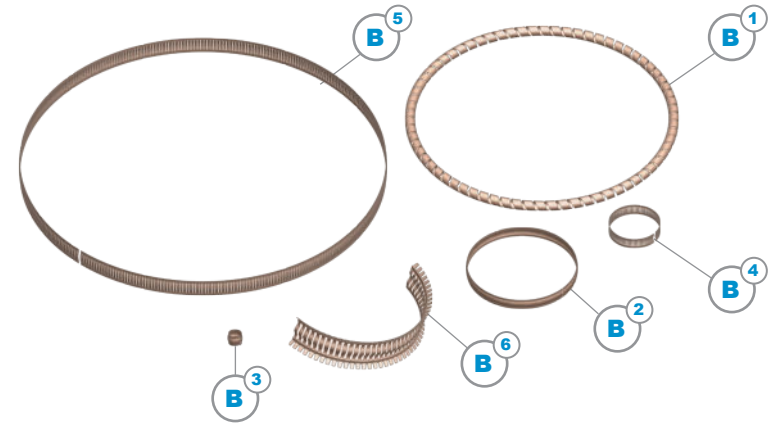
K99780BR - KIT, BELLOWS REPLACEMENT

ITEM	P/N	DESCRIPTION	QTY
A1	8A226	-217, Buna, O-Ring	1
A2	8A278	-222, Buna, O-Ring	1
A3	99780-5	Bellows, with Screws	1
A4	99780-16	Contact Ring, Flange to Coil	1



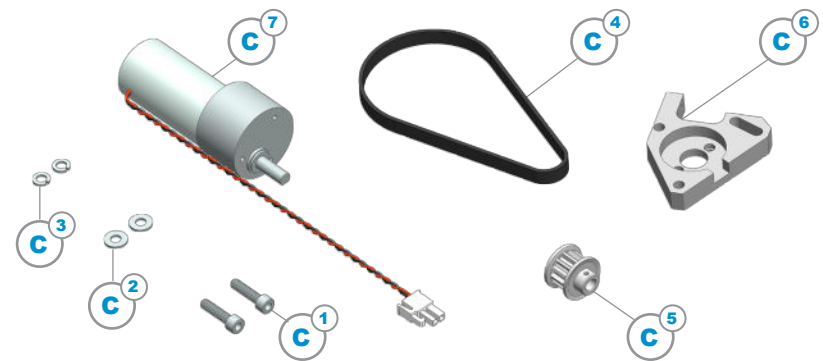
K99780CRB - KIT, CONTACT RINGS

ITEM	P/N	DESCRIPTION	QTY
B1	82498	EMI Shielding, 1"	50 inches
B2	99780-14	Contact Ring, RF Cone to Coil	1
B3	99780-14A	Contact Ring, Antenna	1
B4	99780-14B	Contact Ring, Electrode to RF Cone	1
B5	99780-15	Contact Ring, RF Cone to Body	1
B6	99780-16	Contact Ring, Flange to Coil	1

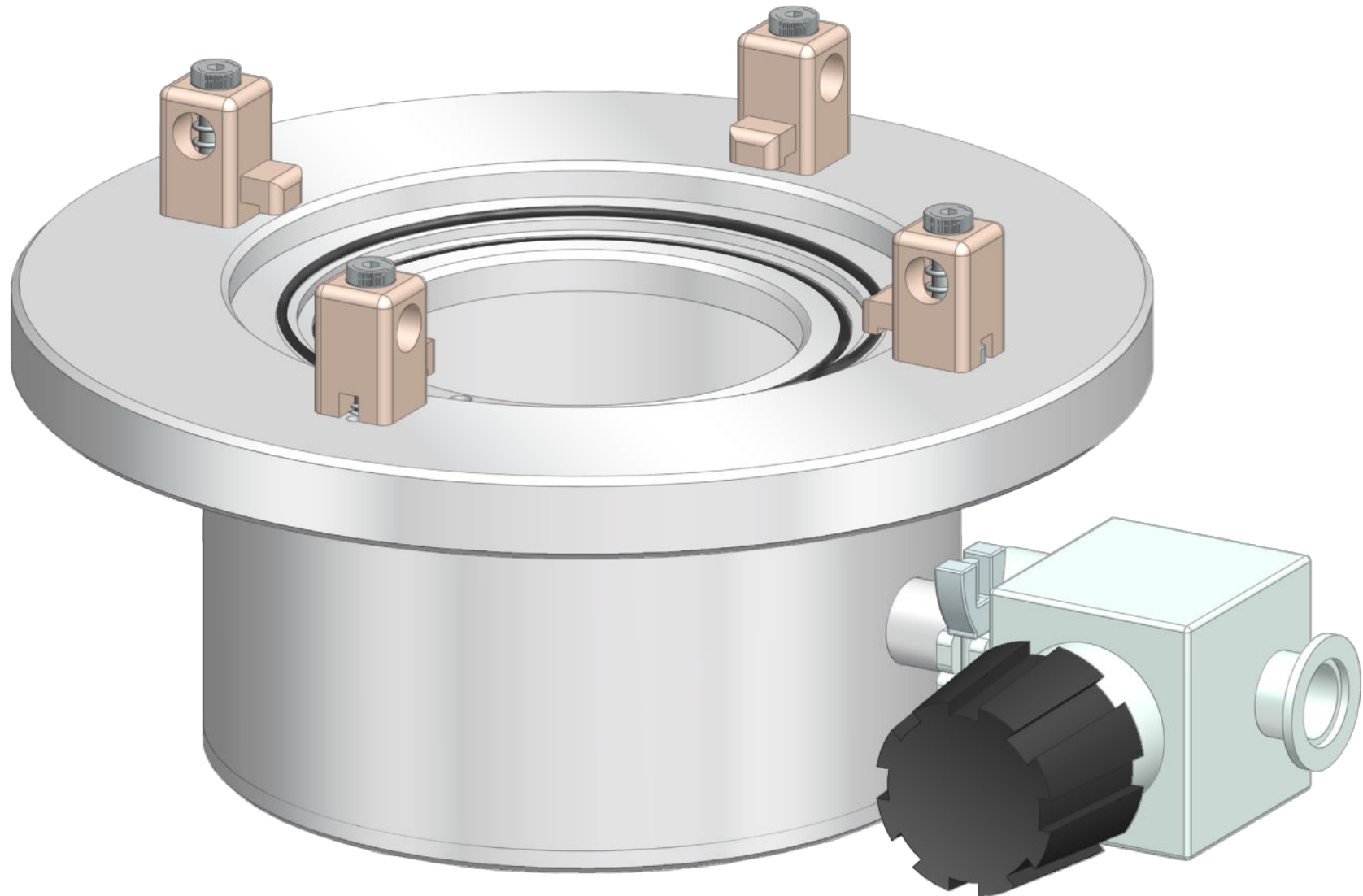


K99780MA2 - KIT, DRIVE MOTOR

ITEM	P/N	DESCRIPTION	QTY
C1	82441	10-32 x 3/4", SS, SHCS	2
C2	82478	#10 x .032, SS, Washer, Flat	2
C3	82608	#10, .220" ID x .334" OD, SS, Washer, Split, Lock	2
C4	82689	Drive Belt	1
C5	82690	Pulley, Drive Motor	1
C6	99780-3	Drive Motor Mounting Bracket	1
C7	99780-30	Motor Assembly	1



RF Cone Test Housing 46150D



Can be used to test the integrity of the RF Cone (99780-S1, page 3) either independently or while installed on the resonator.