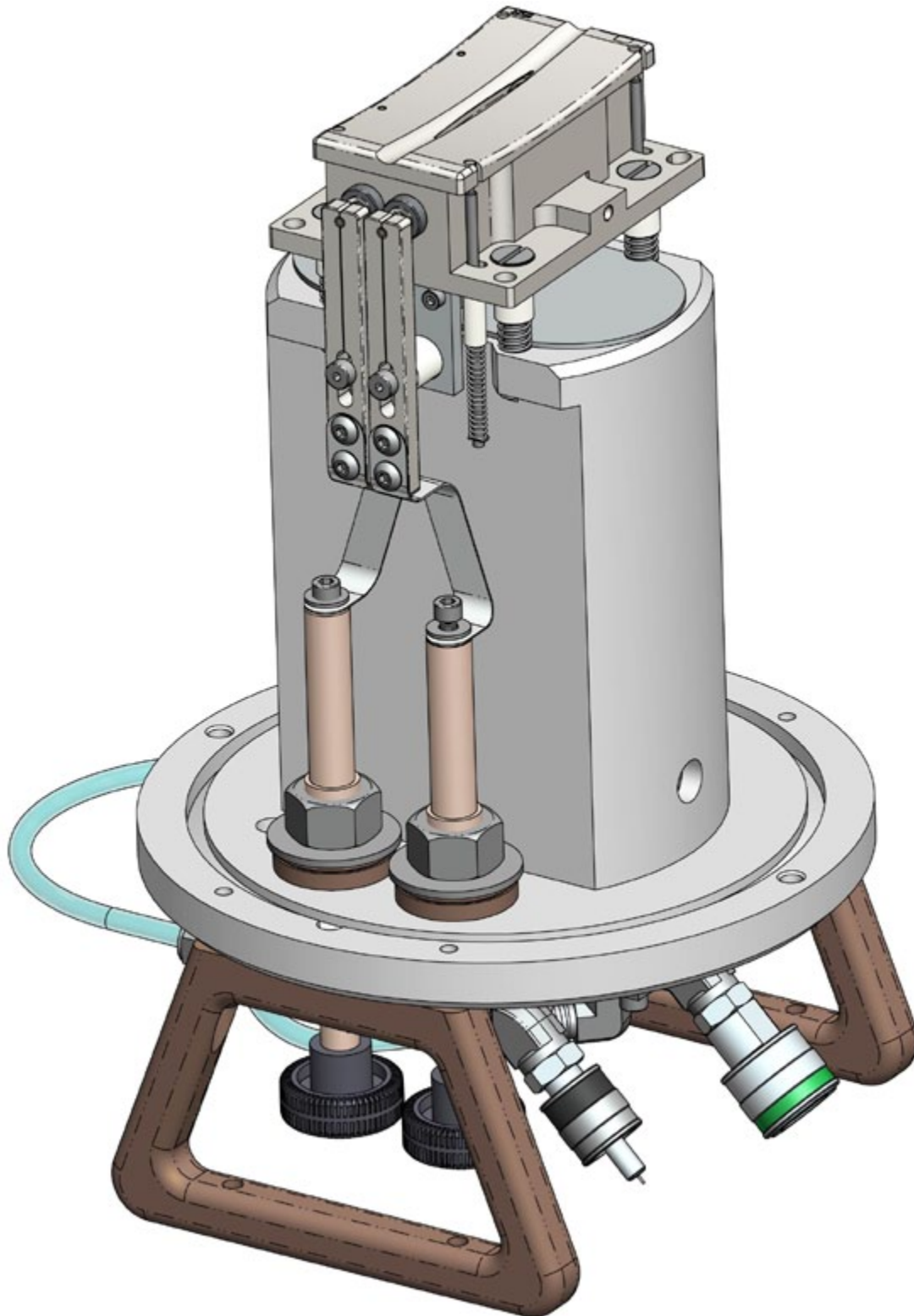
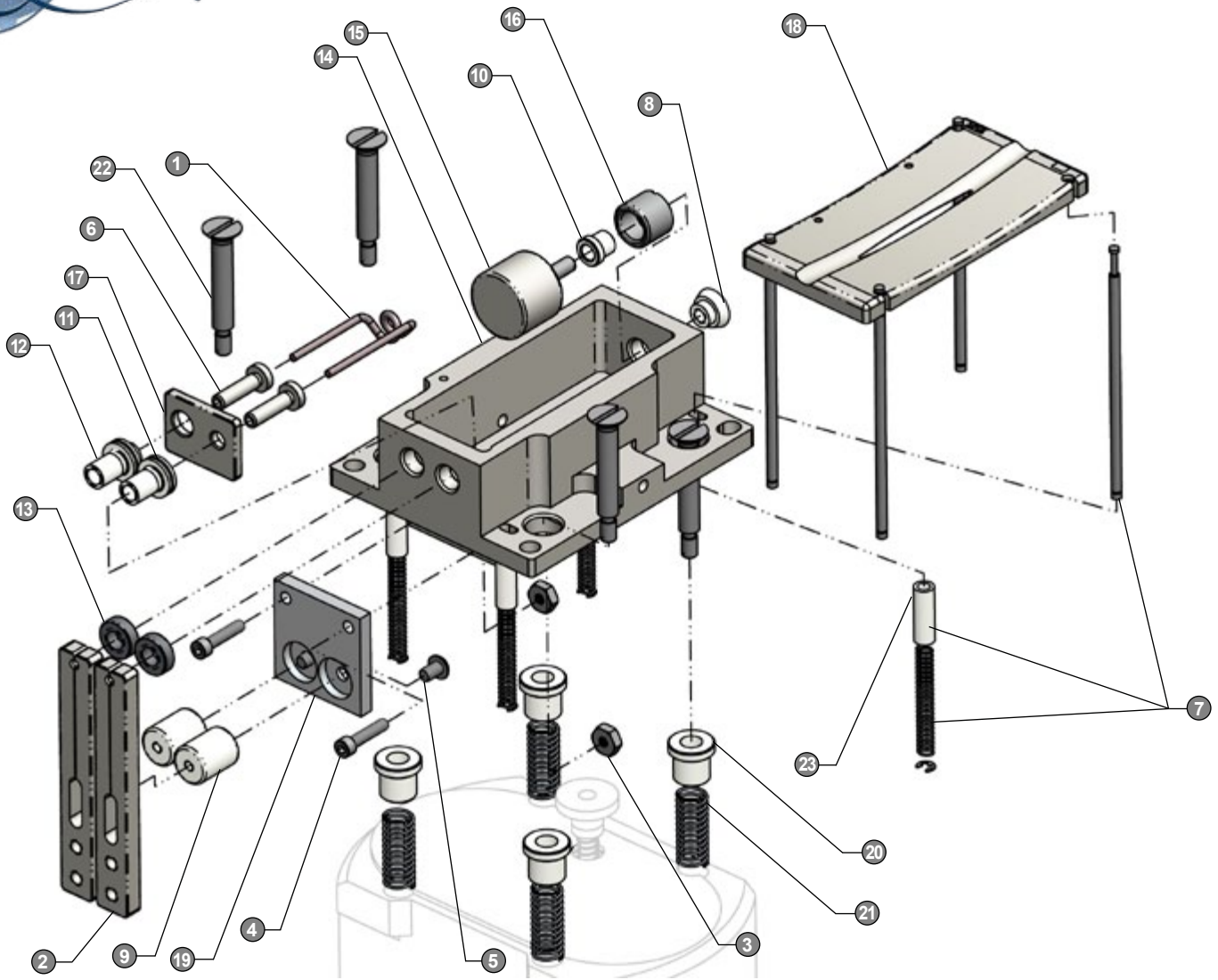




A Resource for Semiconductor Manufacturers

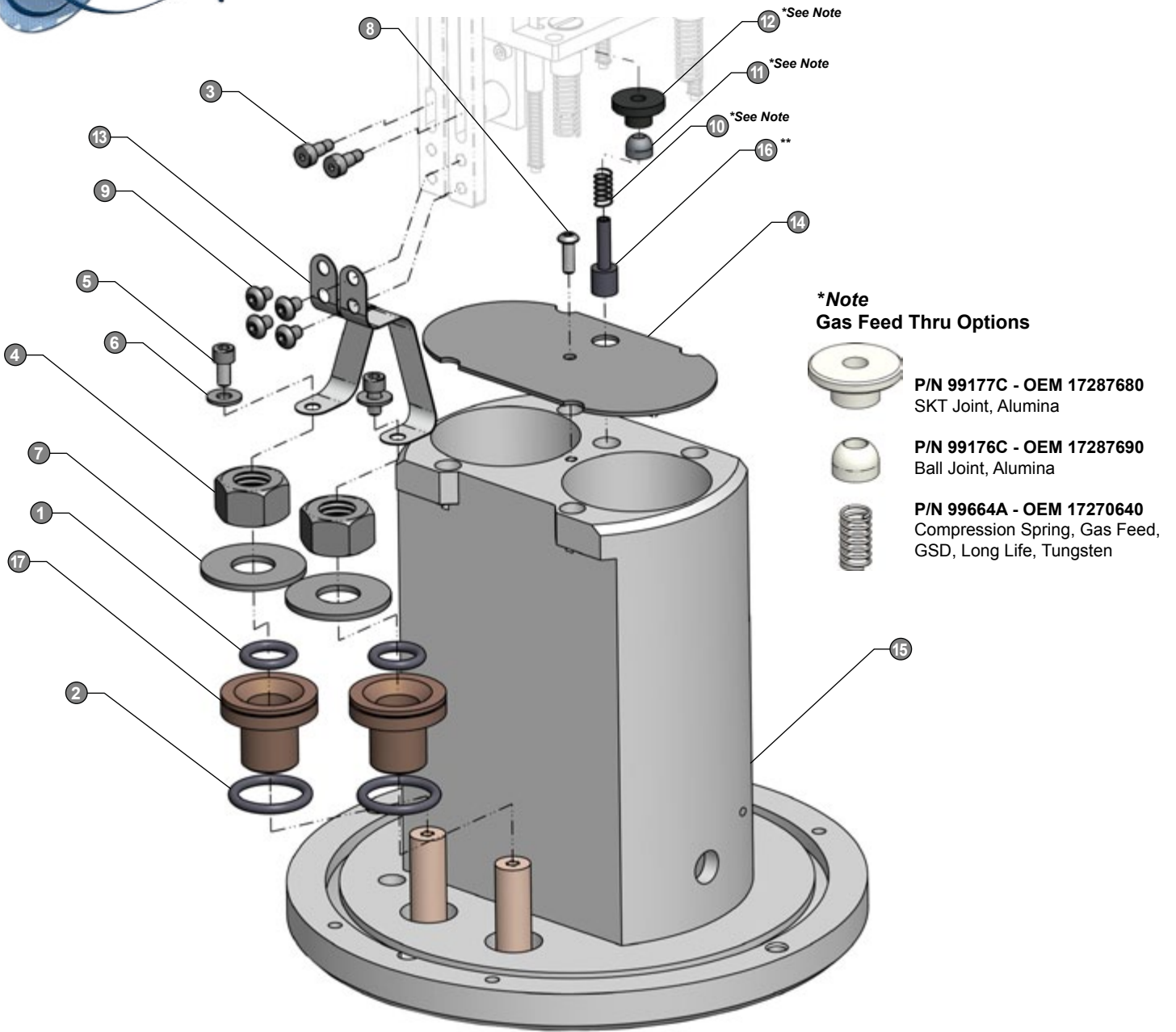
**Illustrated Parts Guide for
Source GSD Implanters
P/N 99260**





| Item | P/N | Description | OEM | QTY |
|------|--------|--|------------------|-----|
| 1 | 30670 | Pigtail Filament | 1789850 | 1 |
| 2 | 40562 | Filament Clamp | 17043870 | 2 |
| 3 | 82296 | Nut 6-32 Hex 18-8, SST | No OEM Reference | 2 |
| 4 | 82420 | SHCS 6-32 X 5/8", SST | 4400061 | 2 |
| 5 | 82630 | BHSS 8-32 X 1/4", BHSS, SST | 4400735 | 2 |
| 6 | 99002 | Filament Insulator Insert, Molybdenum | 1200321 | 2 |
| 7 | 99014 | Retainer Pin Assembly | 1200080 | 4 |
| 8 | 99022 | Filament Insulator, Ceramic | 1708680 | 1 |
| 9 | 99052 | Ceramic Standoff, 1/2" Dia X 5/8" Long X 8-32 Thread | 5000024 | 2 |
| 10 | 99236 | Filament Insulator | 17097240 | 1 |
| 11 | 99282 | Filament Insulator | 17123410 | 1 |
| 12 | 99283 | Filament Insulator, Ceramic | 17123420 | 2 |
| 13 | 99284 | Insulator Nut | 17123430 | 2 |
| 14 | 99286 | Arc Chamber, IAS Standard, Molybdenum | 17127590 | 1 |
| 15 | 99287 | Repeller | 17127600 | 1 |
| 16 | 99288 | Repeller Shield | 17127610 | 1 |
| 17 | 99289 | Filament Shield, Molybdenum | 17127650 | 1 |
| 18 | 99290 | Face Plate, Molybdenum | 17128110 | 1 |
| 19 | 99291 | Arc Chamber Mounting Block, | 17127620 | 1 |
| 20 | 99292 | Shoulder Screw Spacer | 17128230 | 4 |
| 21 | 99293 | Shoulder Screw Spring | 4001166 | 4 |
| 22 | 99338 | Arc Chamber Mounting Screw | 17127640 | 4 |
| 23 | 99285A | Spacer, Alumina | 17124410 | 4 |

* Glemco offers improvements, modifications, or alternatives to standard OEM replacement components as indicated in red throughout this guide.

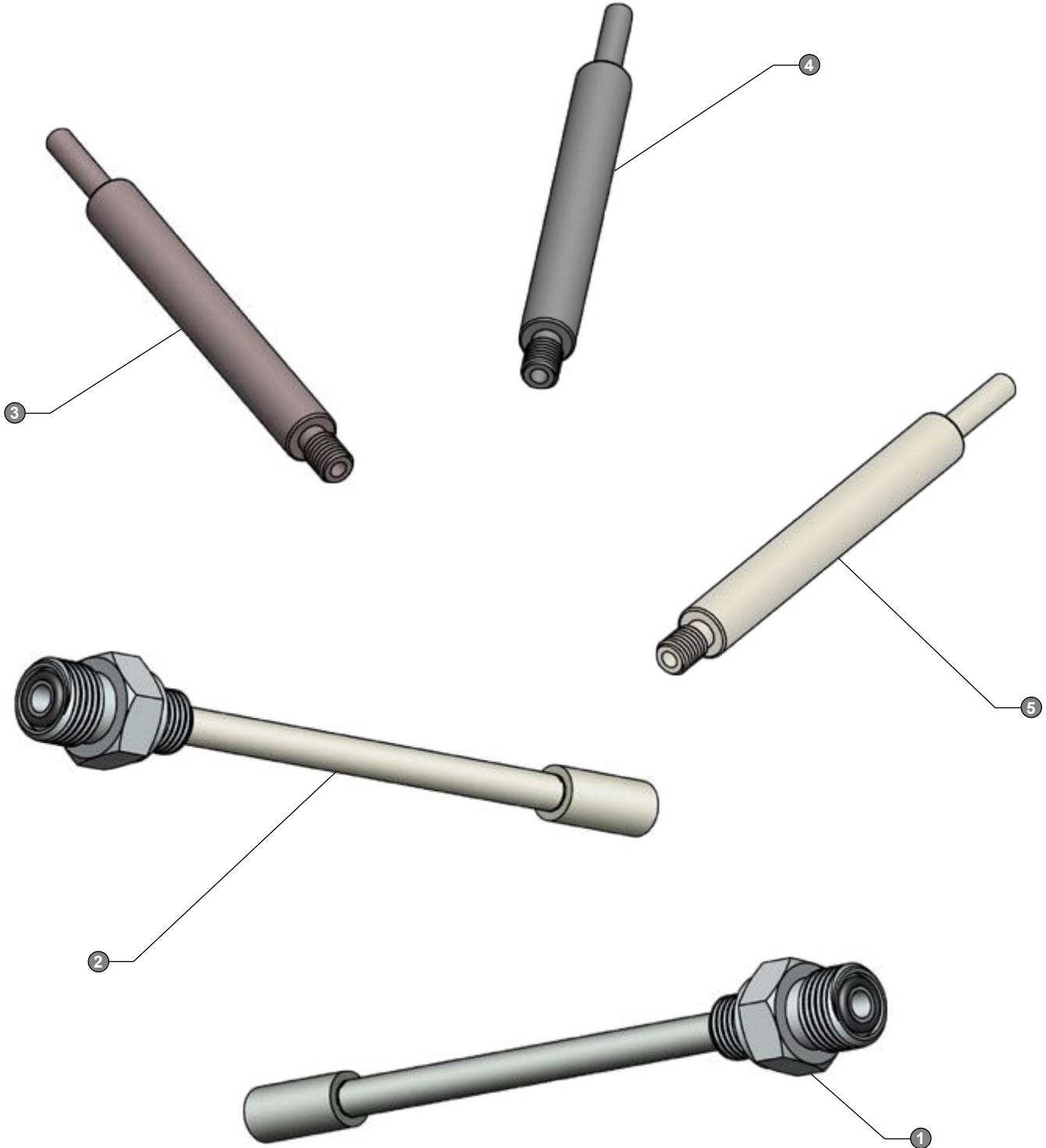


| Item | P/N | Description | OEM | QTY |
|------|--------|--|------------------|-----|
| 1 | 82207 | O-Ring -208, Buna-N | E35000139 | 2 |
| 2 | 82210 | O-Ring - 214, Buna-N | 3500027 | 2 |
| 3 | 82285 | Shoulder Screw 8-32 .188 DIA X .250L, SST | 4400263 | 2 |
| 4 | 82337 | Nut 5/8-11 HEX, 316-AIS SST | 4400006 | 2 |
| 5 | 82439 | SHCS 10-32 X 3/8", SST | E47000047 | 2 |
| 6 | 82478 | #10 Washer Standard, 18-8 SST | 4400007 | 2 |
| 7 | 82491 | Washer Fil Feed-Thru | 1700250 | 2 |
| 8 | 82633 | BHSS 8-32 X .50 Long, 18-8 SST | 4400042 | 1 |
| 9 | 82639 | BHSS 10-32 X 1/4", SST | E47000056 | 4 |
| 10* | 99172 | Compression Spring, SST | 4001301 | 1 |
| 11* | 99176 | Ball Joint, Graphite | 17033160 | 1 |
| 12 | 99177 | SKT Joint | 17033150 | 1 |
| 13 | 99178 | Filament Strap | 17033170B | 2 |
| 14 | 99252 | Vaporizer Exit Shield | No OEM Reference | 1 |
| 15 | 99276 | Source Body | 17126660B | 1 |
| 16** | 99334 | Gas Feed Tube Nozzle, ** See additional Gas Feed Tube Nozzle Options on page 4 | No OEM Reference | 1 |
| 17 | 99324A | Feed-Thru Insulator, Long VS | 17127830 | 2 |

* Glemco offers improvements, modifications, or alternatives to standard OEM replacement components as indicated in red throughout this guide.

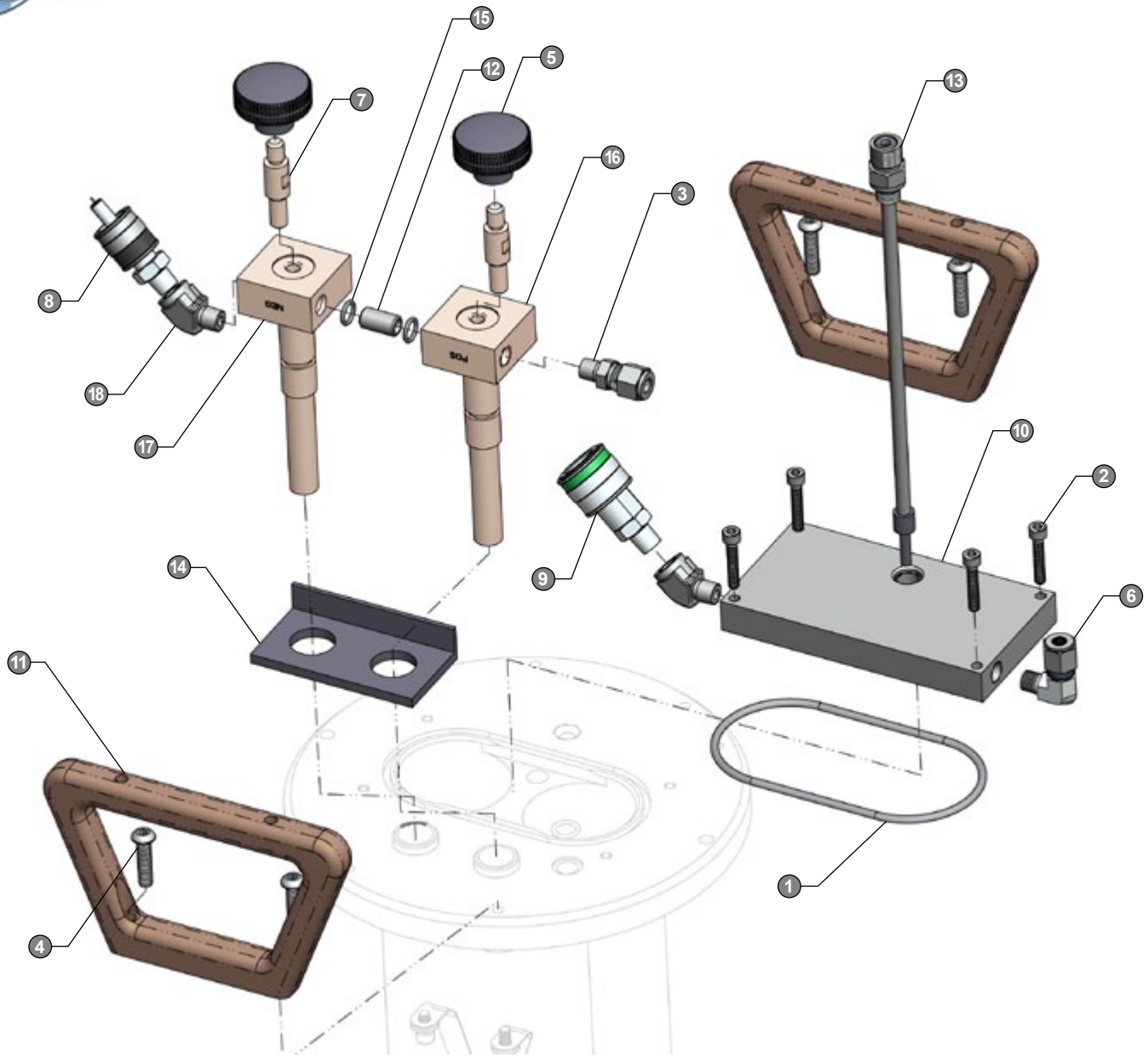


Gas Feed Tube and Nozzle Options
 (Used in place of OEM P/N 17032980 - Glemco P/N 99333)



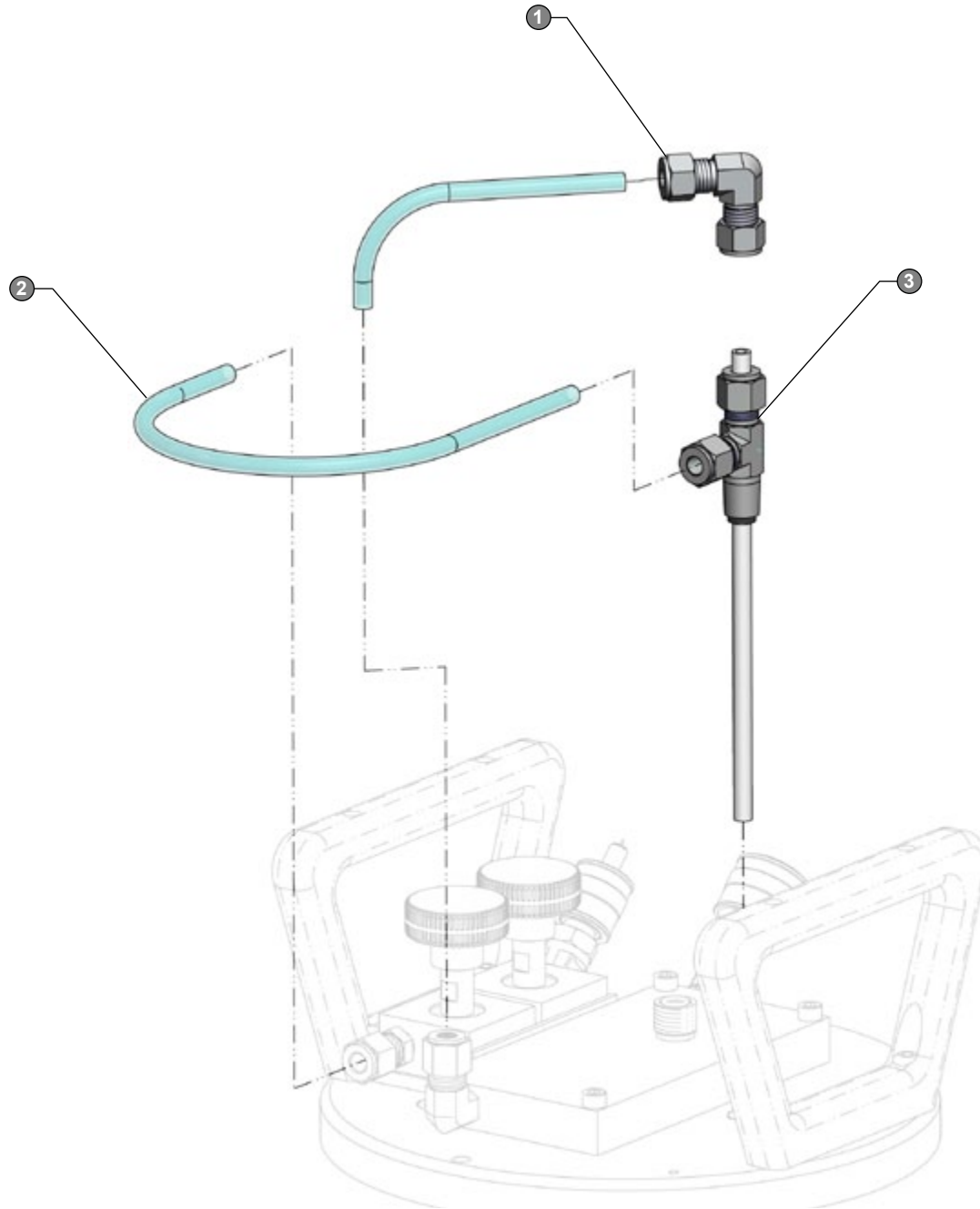
| Item | P/N | Description | OEM |
|------|------------|--|------------------|
| 1 | 99333A-S1 | Gas Feed Tube Assembly, Stainless Body, Stainless Fitting | No OEM Reference |
| 2 | 99333AM-S1 | Gas Feed Tube Assembly, Molybdenum Body, Stainless Fitting | No OEM Reference |
| 3 | 99334A | Gas Feed Nozzle, Tungsten | No OEM Reference |
| 4 | 99334AG | Gas Feed Nozzle, Graphite | No OEM Reference |
| 5 | 99334AM | Gas Feed Nozzle, Molybdenum | No OEM Reference |

* Glemco offers improvements, modifications, or alternatives to standard OEM replacement components as indicated in red throughout this guide.



| Item | P/N | Description | OEM | QTY |
|------|--------|--|------------------|-----|
| 1 | 82217 | O-Ring -241, Silicone | No OEM Reference | 1 |
| 2 | 82442 | SHCS, 10-32 X 1, SST | 4400022 | 4 |
| 3 | 82527 | Fitting, Connector, 1/4", 1/8" Male NPT, 316 SST | 3400064 | 1 |
| 4 | 82655 | BHSS, 1/4"- 20 X 1", SST | 4500263 | 4 |
| 5 | 82708 | Knob, Plastic Fluted Hand Knob | 4000861 | 2 |
| 6 | 82528 | Fitting, Male Elbow, 1/4" Tube, 1/8 NPT, 316 SST | 5869-0001-0006 | 1 |
| 7 | 99120 | Threaded Stud | 1700220 | 2 |
| 8 | 83701 | Fitting, QC Series Instrumentation Quick Connect Stem, Key 1 | No OEM Reference | 1 |
| 9 | 83703 | Fitting, QC Series Instrumentation Quick Connect Stem, Key 3 | No OEM Reference | 1 |
| 10 | 99251 | Vaporizer Blank-off Plate | No OEM Reference | 1 |
| 11 | 99326A | Source Handle | 17036660 | 2 |
| 12 | 99327 | Feed-Thru Connector | 17033010 | 1 |
| 13 | 99333 | Gas Feed Tube Assembly | 17032980 | 1 |
| 14 | 99418 | Insulator | 17127840 | 1 |
| 15 | 82912V | O-Ring -012, Viton® | E3500068 | 2 |
| 16 | 99329 | Positive Feed-Thru | No OEM Reference | 1 |
| 17 | 99330 | Negative Feed-Thru | No OEM Reference | 1 |
| 18 | 8A130 | Street Elbow, 45 °, 1/8 NPTF X 1/8 NPTM, SST | 3401279 | 2 |

* Glemco offers improvements, modifications, or alternatives to standard OEM replacement components as indicated in red throughout this guide.



| Item | P/N | Description | OEM | QTY |
|------|-------|-------------------------------------|---------|-----------|
| 1 | 82535 | Fitting, Union Elbow, 1/4", 316 SST | 3400062 | 1 |
| 2 | 82751 | Tube, 1/4"OD x.040 Wall LDPE Yellow | 7500007 | As Needed |
| 3 | 99335 | Cooling Tube Assembly | 1200850 | 1 |

* Glemco offers improvements, modifications, or alternatives to standard OEM replacement components as indicated in red throughout this guide.