



Product Specification Change

PSC#: 2005-99438-1
Effective Date: February 22, 2005
Glemco PN: 99438
OEM Cross: 1141260
Description: Quadrapole Lens Feed-thru

Reason for change:

1. Current material selection is not profitable.
2. Extensive analysis was performed on sample to identify material and plating specifications. Design needs to be changed to more accurately reflect OEM sample.

Original method:

1. Body was manufactured from AISI Stainless Steel resulting in high material cost and high tooling costs.

New Method:

1. To accurately reflect OEM sample, body material is changed from AISI 316 to Brass. This also reduces material and manufacturing costs to prevent increase in price.
2. Following pre-plating, the body is plated with an electro-deposited nickel alloy. The plating forms a passive layer that does not adversely affect materials in contact with it, and provides resistance to tarnish and corrosion.

Associated ECO #s:

04-139

04-112

05-009

05-117

04-139

Drawing numbers affected:

99438

99438-3

99438-S1

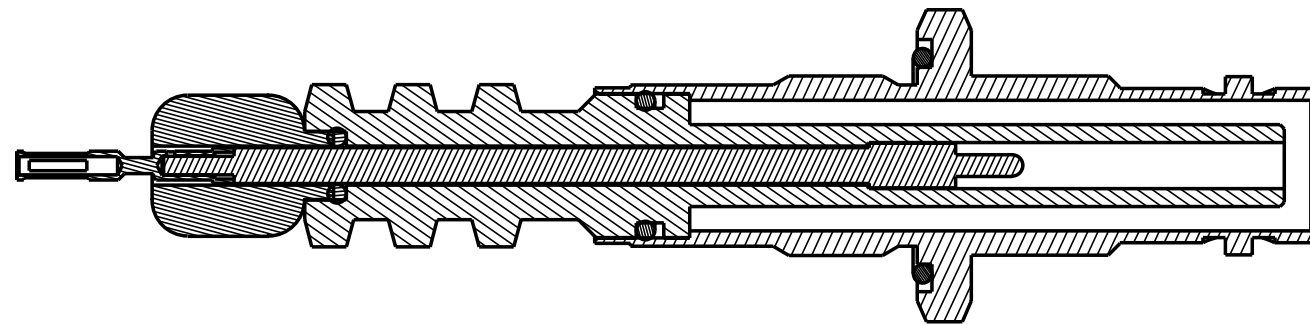
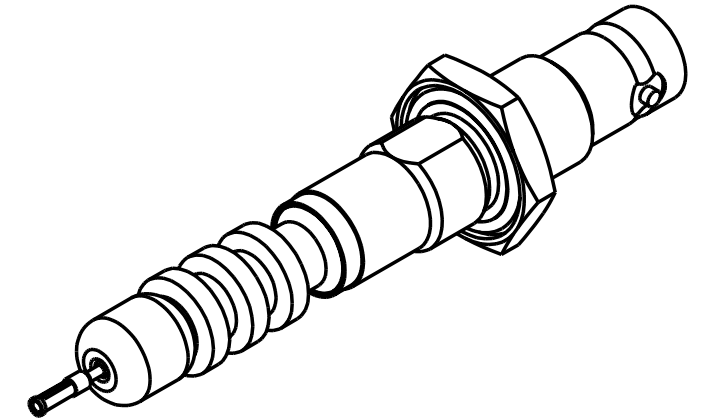
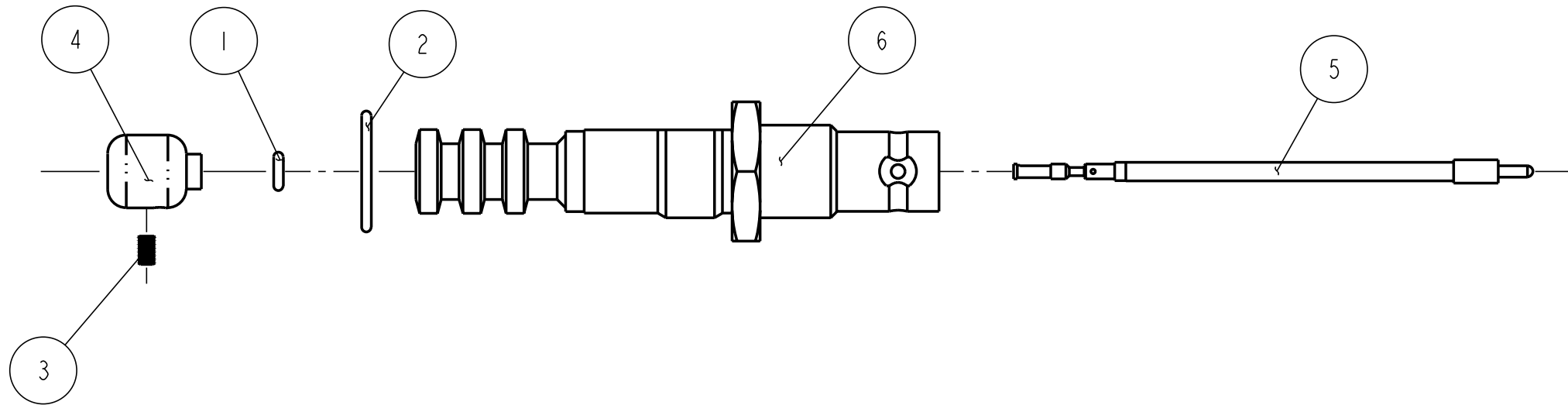
99438-1A

99438-1B

99438-1

Image reference:

LTR	ECO	REVISION	DFT	DATE



SECTION A-A
SCALE 1.500

ITEM	PART #	DESCRIPTION	QTY
1	8A065	O-RING, -006 SILICONE	1
2	8A067	O-RING, -017	1
3	8A077	4-40 X 3/16 SET SCREW VENTED	1
4	99438-4	CORONA BALL	1
5	99438-S1	FEEDTHRU CONDUCTOR ASSEMBLY	1
6	99438-S2	FEEDTHRU BODY SUB-ASSEMBLY	1

ENGINEERING NOTES:	MATERIAL	UNLESS OTHERWISE SPECIFIED, DO NOT SCALE THIS DRAWING. DIMENSIONS AND TOLERANCES TO BE INTERPRETED PER ANSI Y14.5M-1982. REMOVE ALL BURRS & SHARP EDGES. ALL DIMENSIONS ARE IN INCHES. TOLERANCES: XXXX ± .0005 XXX ± .005 XX ± .010 X/2 ± .125 ANGLES ± .5°	GLEMCO, INC.		
	NOTICE OF PROPRIETARY RIGHTS		1015 CR270, LEANDER, TX, 78641		
RELATED PRINTS:	THIS DOCUMENT AND THE INFOR- MATION IT CONTAINS IS PROPRIETARY TO GLEMCO, INC. IT MUST NOT BE DUPLICATED OR ITS CONTENTS USED OR DIS- CLOSED (IN WHOLE OR IN PART) WITHOUT WRITTEN PERMISSION FROM GLEMCO, INC.	FINISH: 63	FEEDTHRU BODY ASSEMBLY		
		DR: JR	02/22/05	DWG. NO	REV.
		ENG1:		99438_REF	
		ENG2:			
	MFG:		B	SCALE: 1.000 SHEET OF	