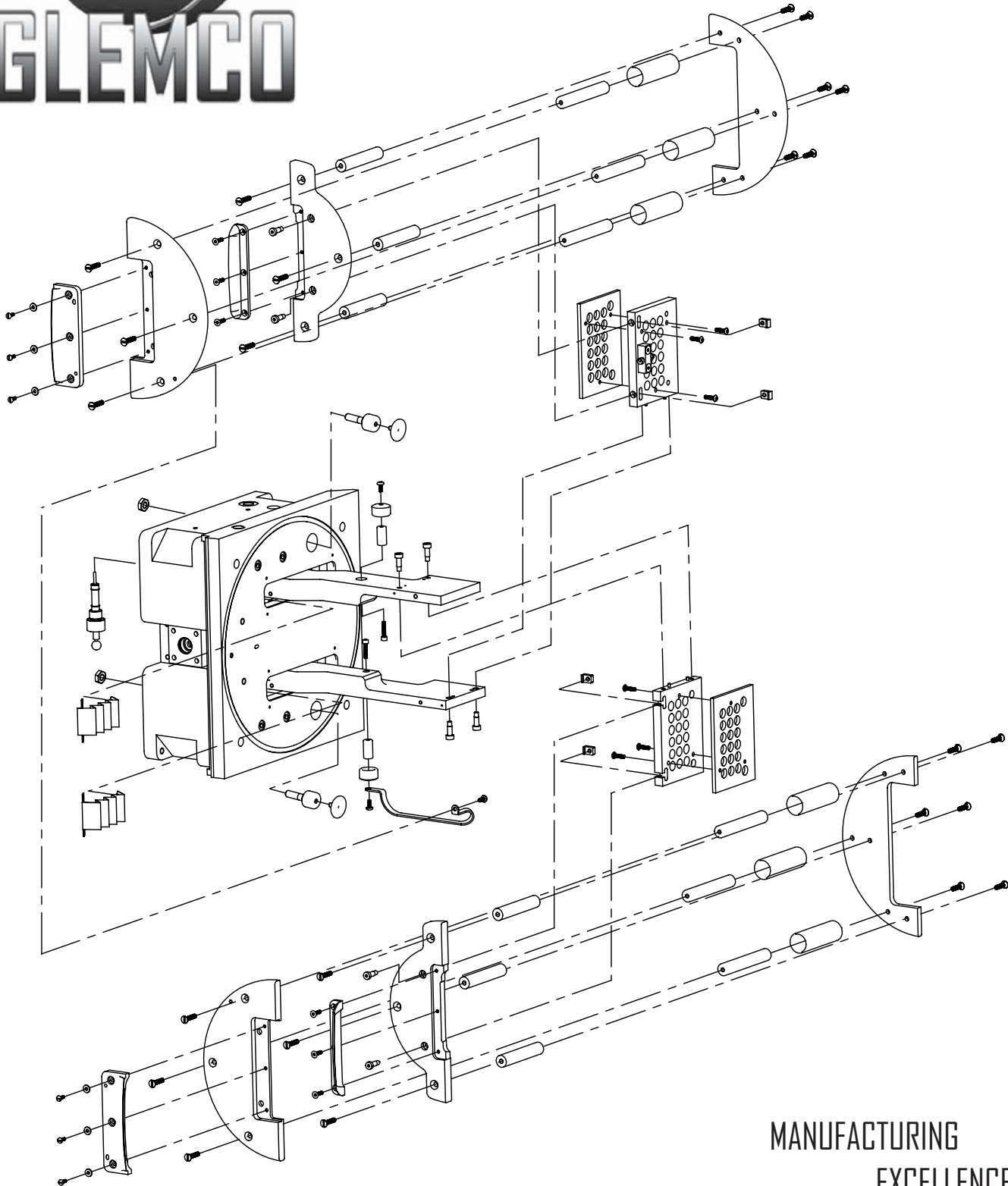




Version 34 Extraction Electrode Components for Axcelis GSD Implanters



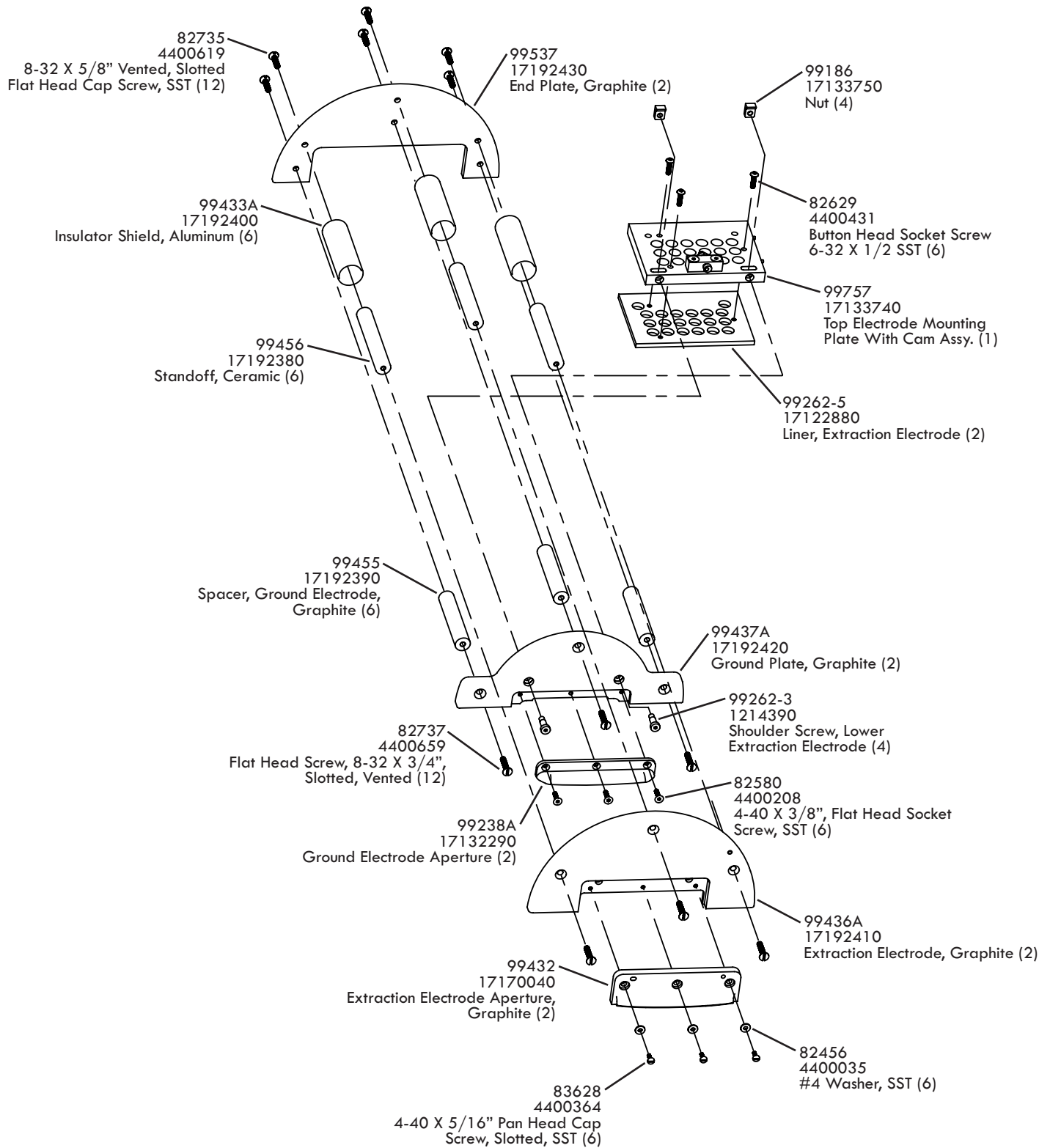
THE ALTERNATIVE

for AXCELIS
systems

MANUFACTURING
EXCELLENCE

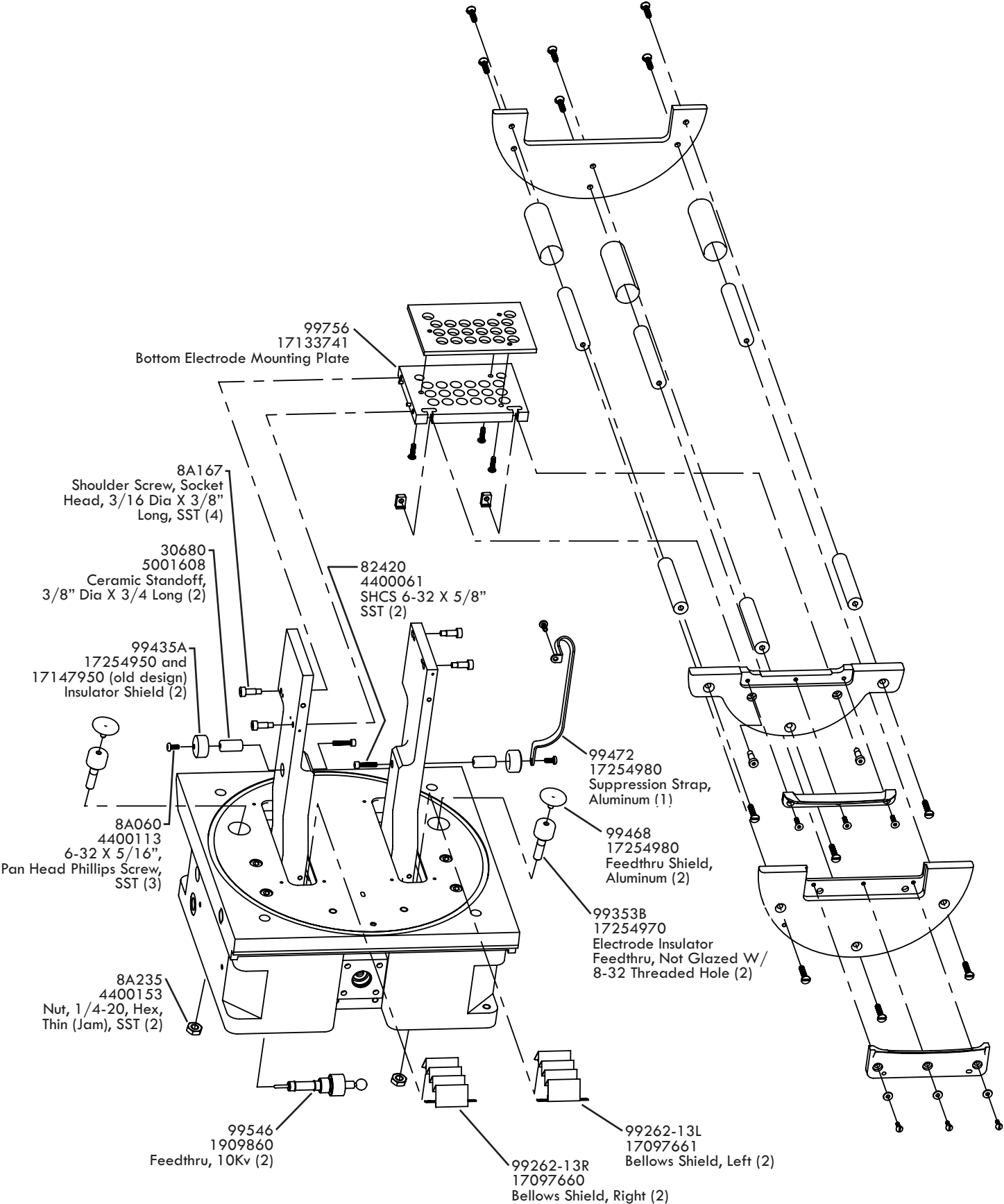
ISOMETRIC MODEL:

VERSION 34 EXTRACTION ELECTRODE COMPONENTS













ISOMETRIC MODEL: VERSION 34 EXTRACTION ELECTRODE COMPONENTS





VERSION 34 EXTRACTION ELECTRODE COMPONENTS:



| Glemco P/N | OEM No / Item Description | Image |
|------------|--|---|
| 82914 | -014 O-Ring, Buna-N Crosses to OEM No.'s: 3500091 |  |
| 83293 | -374 O-ring, Buna-N Crosses to OEM No.'s: 3500074 |  |
| 99254A | Extraction Electrode Arm, Top The 99254A / 99255A are located into the fixture with dowel pins and are held in place with hex head bolts. Crosses to OEM No.'s: 17133800 |  |
| 99255A | Extraction Electrode Arm, Bottom The 99254A / 99255A are located into the fixture with dowel pins and are held in place with hex head bolts. Crosses to OEM No.'s: 17133790 |  |
| 99262-14 | Sensor Insulator, 1/8" Thick Crosses to OEM No.'s: No OEM Number Available |  |
| 99262-18 | Sensor Insulator, 3/16" Thick Crosses to OEM No.'s: No OEM Number Available |  |
| 99265 | Readback Harness, Extraction Electrode Crosses to OEM No.'s: 1176940 |  |
| 99469 | Extension Spring, Short Crosses to OEM No.'s: 17255000 |  |



| Glemco P/N | OEM No / Item Description | Image |
|------------|---|---|
| 99470 | Extension Spring, Long Crosses to OEM No.'s: 17254990 |  |
| 99471 | MHV Connector Crosses to OEM No.'s: 17254960 |  |

OEM Cross-Reference Index

| OEM P/N | Glemco P/N | Page | OEM P/N | Glemco P/N | Page |
|----------|------------|----------|-------------------------|------------|----------|
| 1176940 | 99265 | G-4 | 17133790 | 99255A | G-4 |
| 1214390 | 99262-3 | G-2, G-3 | 17133800 | 99254A | G-4 |
| 1919860 | 99546 | G-3 | 17147950 | 99435A | G-3 |
| 3500074 | 83293 | G-4 | 17170040 | 99432 | G-2, G-3 |
| 3500091 | 82914 | G-4 | 17192380 | 99456 | G-2, G-3 |
| 4400035 | 82456 | G-2, G-3 | 17192390 | 99455 | G-2, G-3 |
| 4400061 | 82420 | G-3 | 17192400 | 99433A | G-2, G-3 |
| 4400153 | 8A235 | G-3 | 17192410 | 99436A | G-2, G-3 |
| 4400208 | 82580 | G-2, G-3 | 17192420 | 99437A | G-2, G-3 |
| 4400364 | 83628 | G-2, G-3 | 17192430 | 99537 | G-2, G-3 |
| 4400619 | 82735 | G-2, G-3 | 17254950 | 99435A | G-3 |
| 4400629 | 82737 | G-2, G-3 | 17254960 | 99471 | G-5 |
| 4400631 | 82629 | G-2, G-3 | 17254970 | 99353B | G-3 |
| 5001608 | 30680 | G-3 | 17254980 | 99468 | G-3 |
| 17097660 | 99262-13R | G-3 | 17254980 | 99472 | G-3 |
| 17097661 | 99262-13L | G-3 | 17254990 | 99470 | G-5 |
| 17122880 | 99262-5 | G-2, G-3 | 17255000 | 99469 | G-4 |
| 17132290 | 99238A | G-2, G-3 | No OEM Number Available | 8A167 | G-3 |
| 17133740 | 99757 | G-2, G-3 | No OEM Number Available | 99262-14 | G-4 |
| 17133741 | 99756 | G-3 | No OEM Number Available | 99262-18 | G-4 |
| 17133750 | 99186 | G-2, G-3 | | | |



Glemco, Inc. is located in Leander, TX. Our products are manufactured in our facilities in Leander. Glemco manufactures high quality replacement parts for semiconductor process equipment for a growing worldwide market. We are a market leader in second source semiconductor consumables. Our customers equate our name with value, innovation, outstanding customer service, high quality, consistent product, and the flexibility to adapt to the varied and individual needs of our customers. We manufacture quality products to tight standards that are documented and repeatable. Glemco focuses on efficiency and cost of manufacturing to keep our prices the lowest in the industry, passing those savings on to our customer.

With a 15 year history servicing the semiconductor industry, Glemco has become a global supplier of high quality consumables for a broad industry base. Distinctively characterizing our company, we offer a large selection of many different items, all at significant cost savings to our customers. We are a manufacturer, allowing us to control the manufacturing process and removing variables that are introduced by the job-shopping that most of our competitors use to supply their product. There is no middleman when the customer chooses Glemco.

Glemco offers a diversified portfolio of consumables, without the restrictions on buying power that are placed on customers via OEM imposed contractual obligations. By establishing long-term relationships we can provide mutual benefit through open communications and continuous improvement, targeting reasonable pricing and reliable equipment performance to reduce overall customer expense. Glemco develops process specific solutions for its customers, including design-improved interchangeable products and custom parts solutions. Product lines can be expanded at no cost to the customer to develop alternative sources to items for which an acceptable alternative does not exist. Glemco's customers span the globe and include many of the largest and most successful semiconductor manufacturers in the world. Glemco upholds the philosophy that success will come through true partnership with our customers. Through the success of our customers we will find our own success.

Glemco's website can be found at www.glemco.com.

Our toll free phone number is 800-621-9598.

Communication via email can be sent to sales@glemco.com.



We respond to all inquiries, email or telephone, promptly.