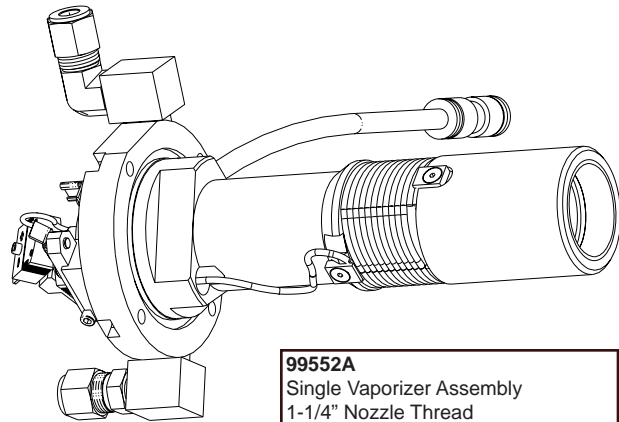
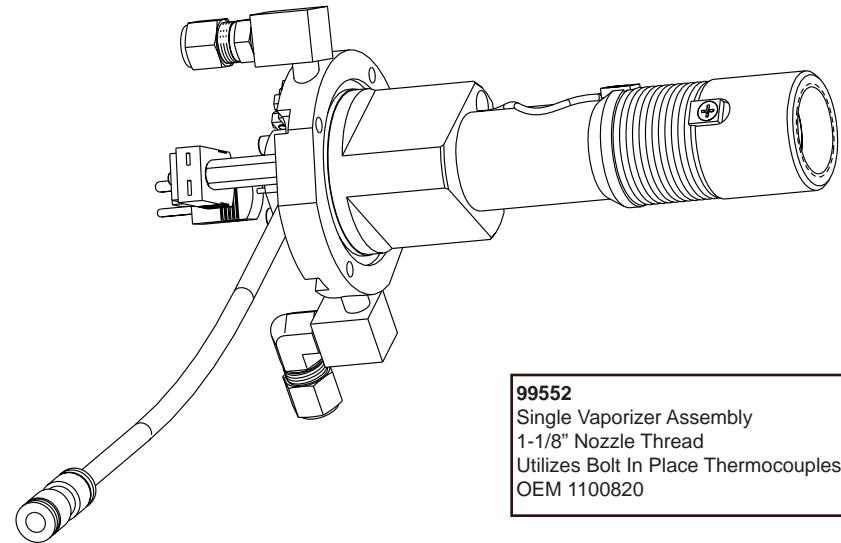




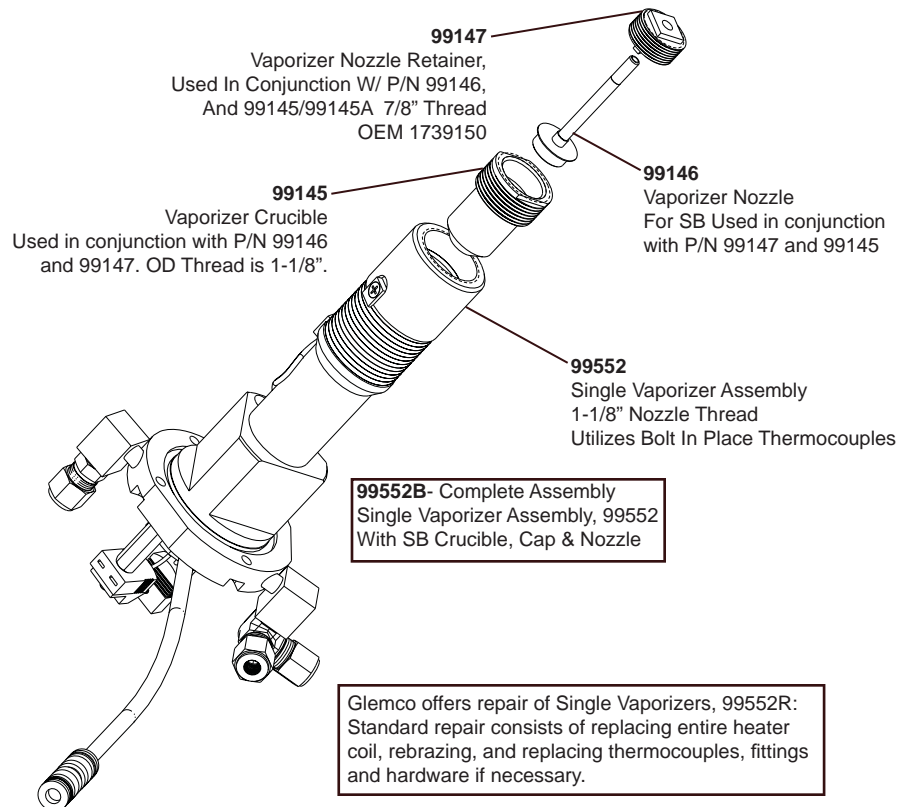
# Single Vaporizer Assemblies for Axcelis Sources



**99552A**  
Single Vaporizer Assembly  
1-1/4" Nozzle Thread  
Utilizes Bolt In Place Thermocouples



**99552**  
Single Vaporizer Assembly  
1-1/8" Nozzle Thread  
Utilizes Bolt In Place Thermocouples  
OEM 1100820



**99147**  
Vaporizer Nozzle Retainer,  
Used In Conjunction W/ P/N 99146,  
And 99145/99145A 7/8" Thread  
OEM 1739150

**99145**  
Vaporizer Crucible  
Used in conjunction with P/N 99146  
and 99147. OD Thread is 1-1/8".

**99146**  
Vaporizer Nozzle  
For SB Used in conjunction  
with P/N 99147 and 99145

**99552**  
Single Vaporizer Assembly  
1-1/8" Nozzle Thread  
Utilizes Bolt In Place Thermocouples

**99552B- Complete Assembly**  
Single Vaporizer Assembly, 99552  
With SB Crucible, Cap & Nozzle

Glemco offers repair of Single Vaporizers, 99552R:  
Standard repair consists of replacing entire heater  
coil, rebrazing, and replacing thermocouples, fittings  
and hardware if necessary.

## SINGLE VAPORIZER COMPONENTS

- |  |   |  |  |
|--|---|--|--|
|  | Vaporizer Nozzle Retainer Cap,<br>1-1/8" OD Thread<br>P/N 99024 / OEM 1706380 |  | Vaporizer Nozzle For SB<br>P/N 99146A / OEM 1152620                            |
|  | Vaporizer Nozzle Retainer For SB<br>P/N 99147 / OEM 1739150                   |  | Vaporizer Nozzle Retainer Cap,<br>1-1/8" OD Thread<br>P/N 99179 / OEM 17033340 |
|  | Vaporizer Nozzle Retainer<br>Cap 1-1/4" OD Thread<br>P/N 99337 / OEM 1736190  |  | Thermocouple Probe,<br>6" Male Connector<br>P/N 83830 / OEM 1210070            |
|  | Vaporizer Heat Shield<br>P/N 99336 / OEM 1152240                              |  | Thermocouple Probe,<br>6" Female Connector<br>P/N 83830F / OEM 1210060         |
|  | Vaporizer Nozzle, W/ 1-1/8" ID Thread<br>P/N 99116 / OEM 1706370              |  | Vaporizer Crucible<br>P/N 99145 / OEM 1712960                                  |
|  | Vaporizer Nozzle, For SB<br>P/N 99146 / OEM 1739160                           |  |  |

[\\*Contact Sales For More Information](#)