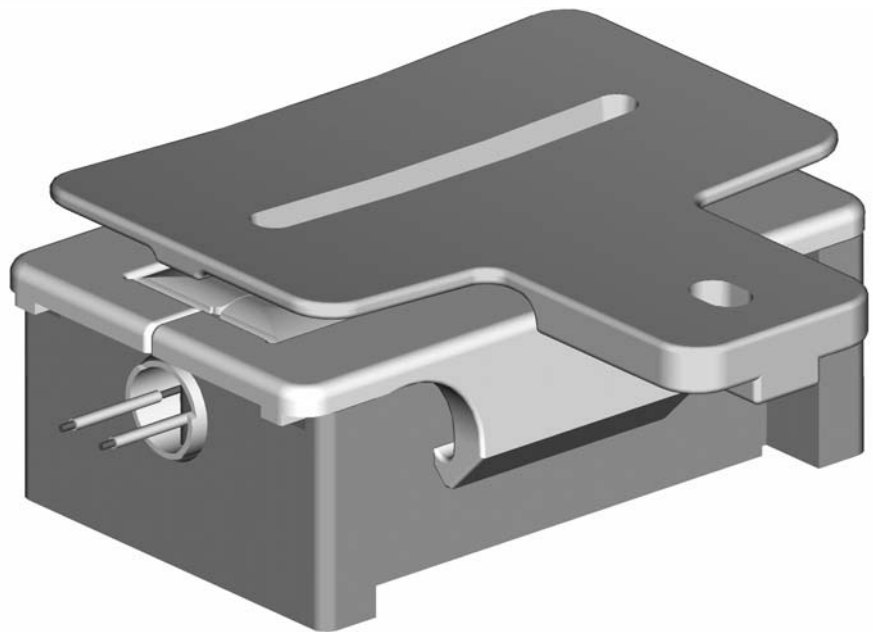
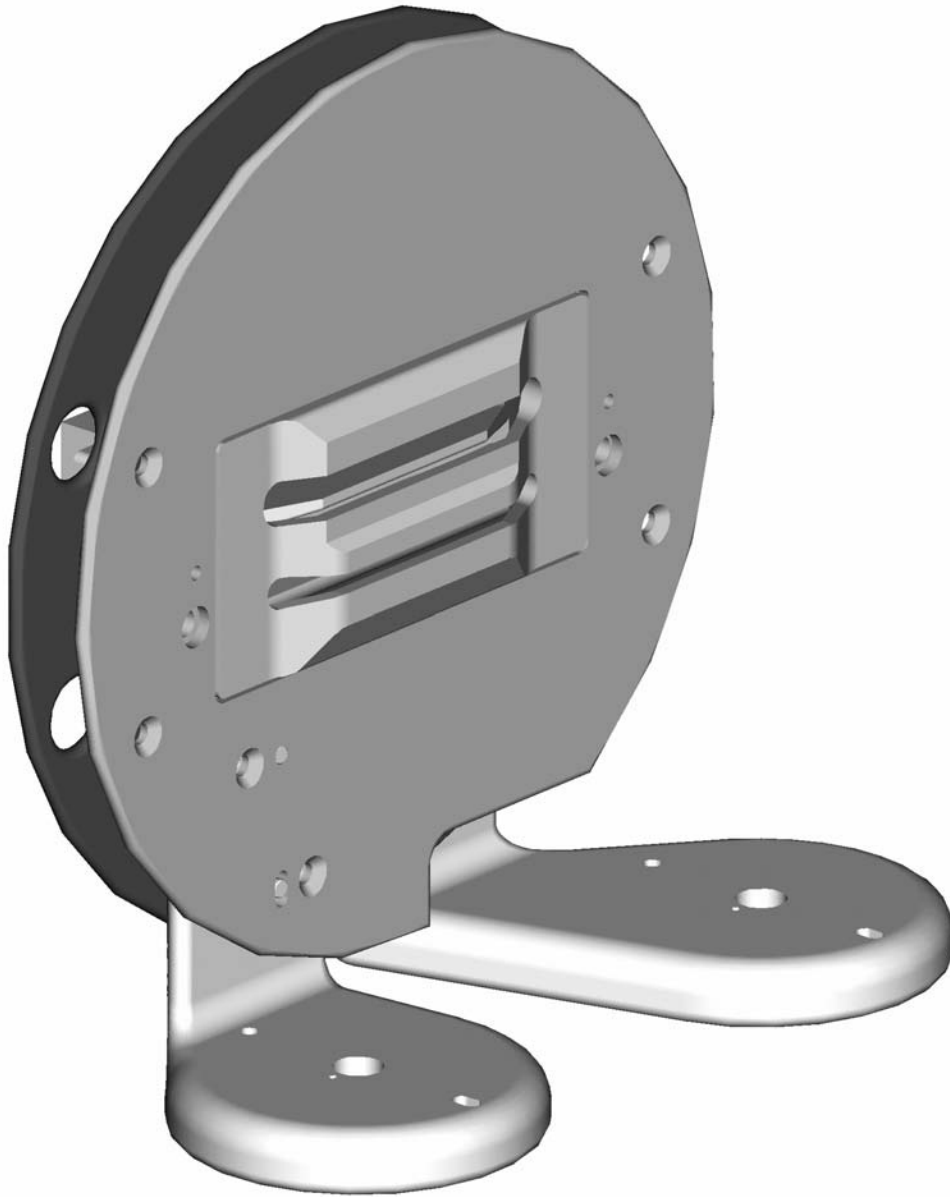
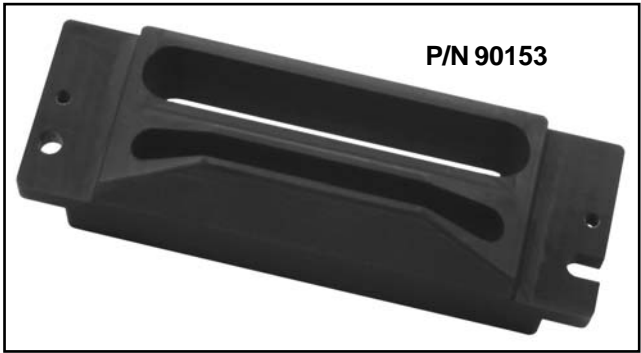
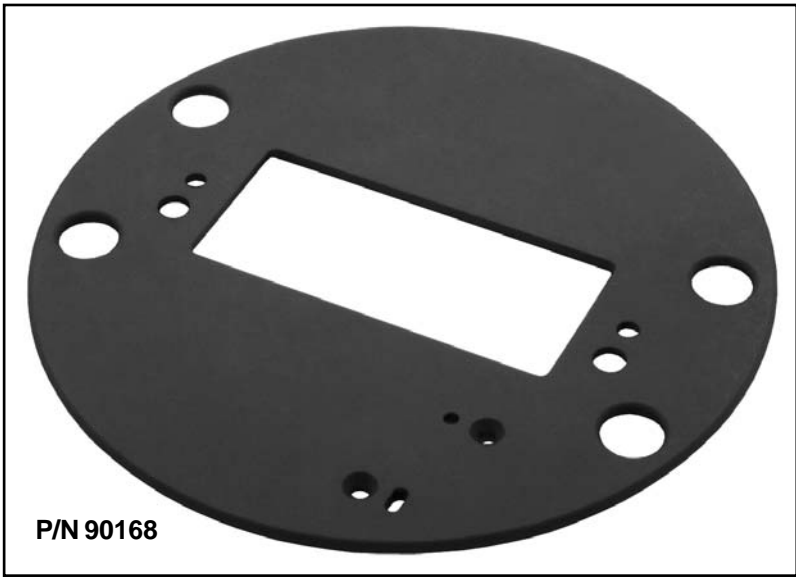
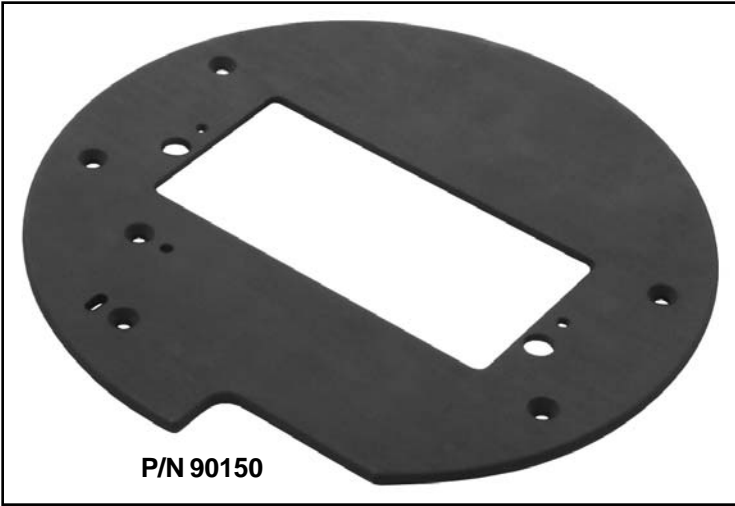


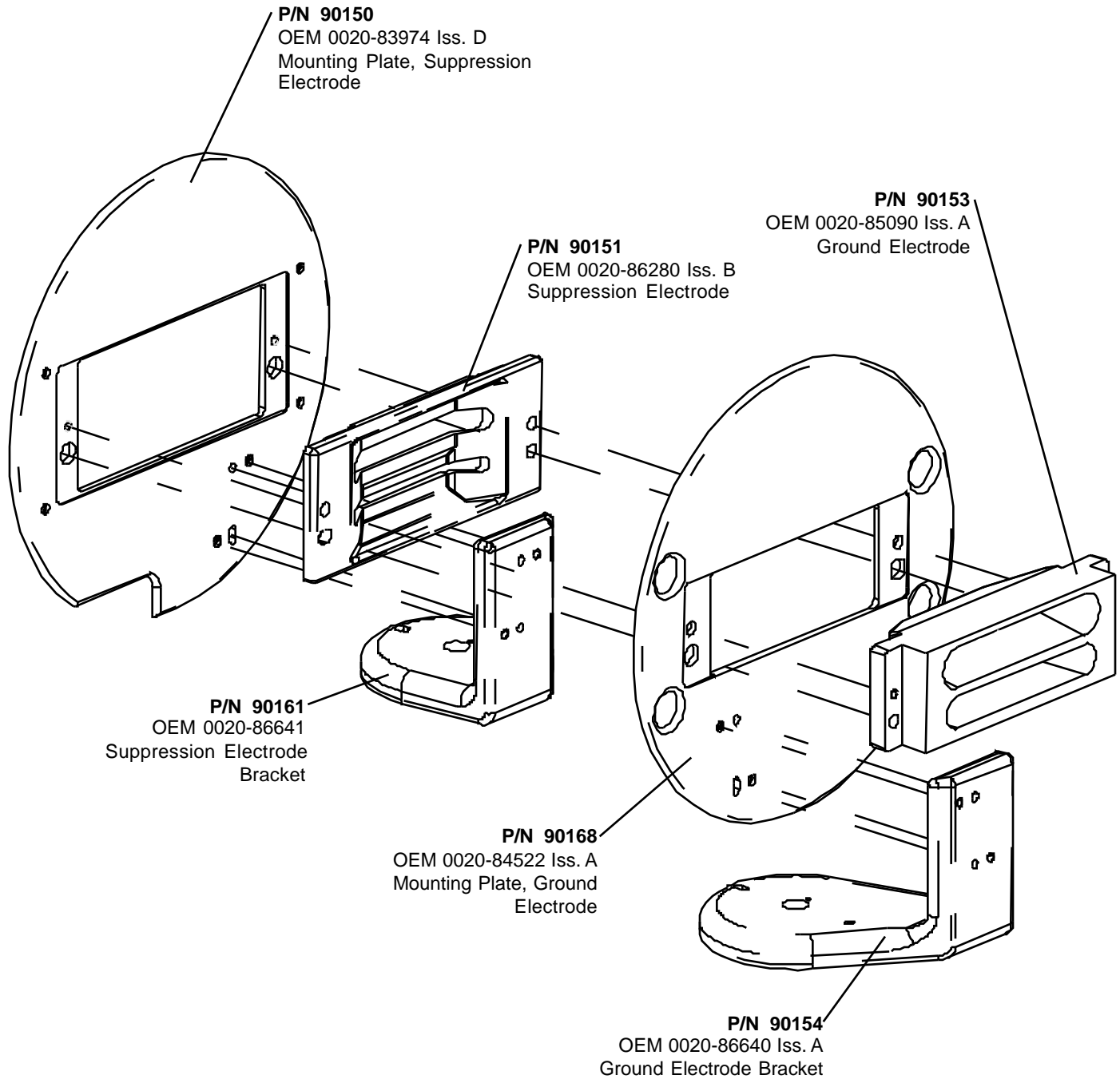
**Section B**  
**Consumables for**  
**LEAP Implanters**

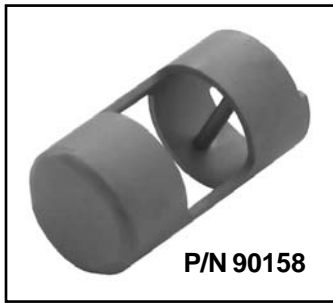




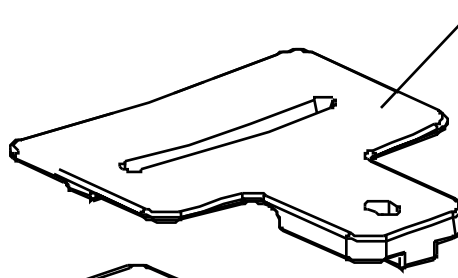
**NOTE:**

The parts shown on this page,  
**P/N 90150**, Mounting Plate, Suppression Electrode,  
**P/N 90151**, Suppression Electrode,  
**P/N 90161**, Suppression Electrode Bracket  
**P/N 90168**, Mounting Plate, Ground Electrode,  
**P/N 90153**, Ground Electrode, and  
**P/N 90164**, Ground Electrode Bracket  
are available as a kit, **P/N K90100**.

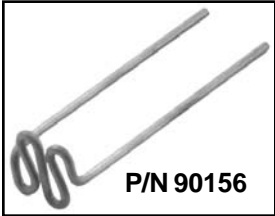




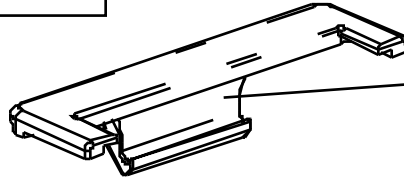
**P/N 90158**



**P/N 90152**  
OEM 0020-07388 Iss. A  
G2, Adjustable Electrode

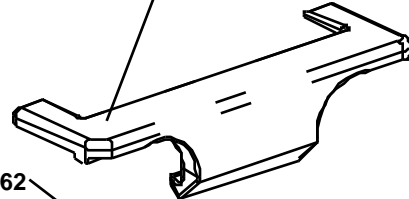
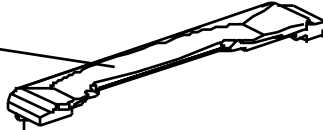


**P/N 90156**



**P/N 90164**  
OEM 0021-90036  
Retainer Hook (2)

**P/N 90163**  
OEM 0021-90786  
Face Plate Half, Left



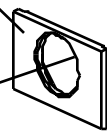
**P/N 90162**  
OEM 0021-90787  
Face Plate Half, Right

**P/N 90158**  
OEM 0040-96830  
Cathode

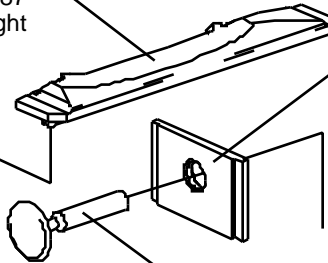
**P/N 90156**  
OEM 0020-86735  
Filament

**P/N 90155**  
OEM 0020-87508  
Filament Guide (2)

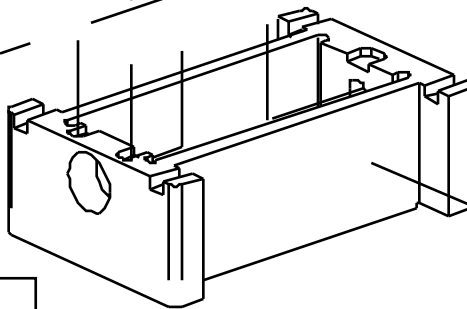
**P/N 90160**  
OEM 0021-90405  
Liner End, Cathode  
(also available in  
graphite as  
**P/N 90160G**)



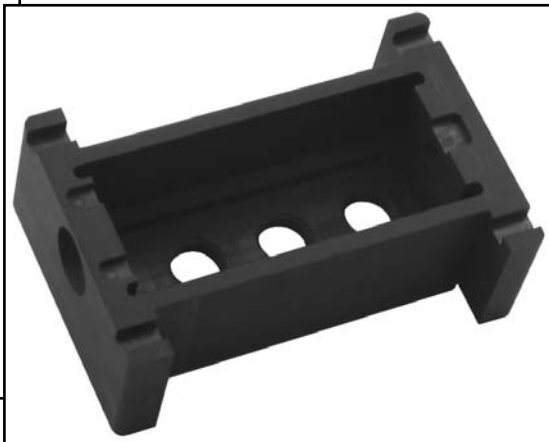
**P/N 90159**  
OEM 0021-90404  
Liner End,  
Anticathode  
(also available  
in graphite as  
**P/N 90159G**)

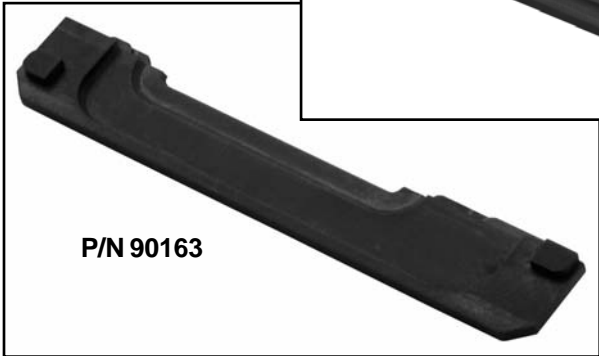
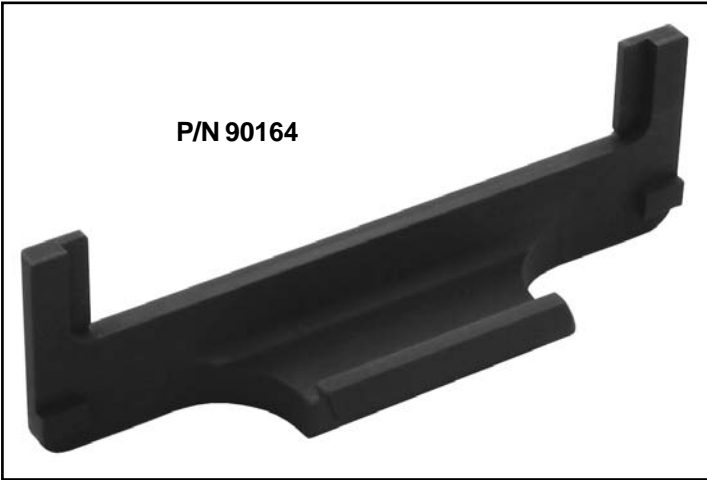


**P/N 90059**  
OEM 0020-81482  
Anticathode (also  
available in molybdenum  
as **P/N 90059M**)



**P/N 90166**  
OEM 0020-89990  
Arc Chamber





**Other Parts for LEAP Systems available from Glemco, Inc.**

