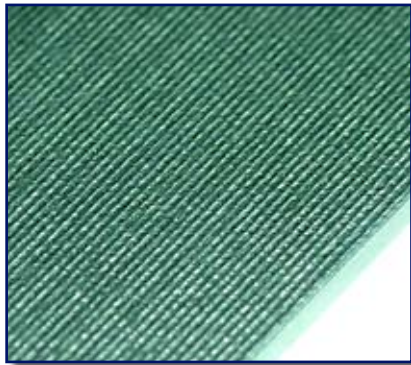
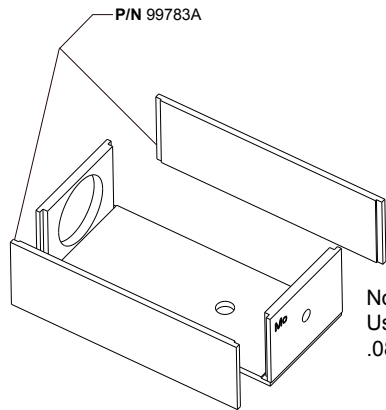




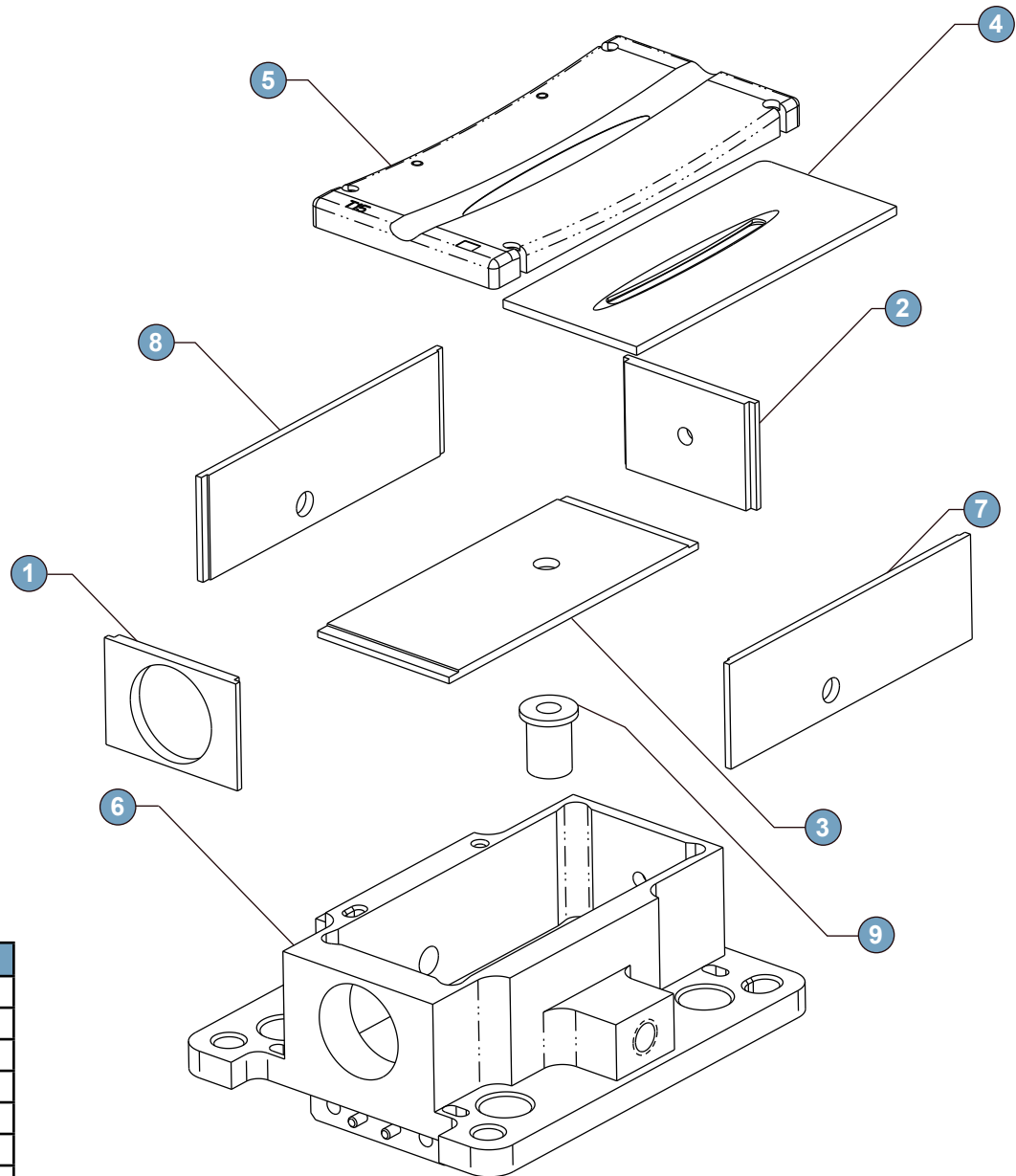
Glemco .080" Liner System For GSD ELS Sources



All Glemco .080" liners feature the **Shark Skin™** surface finish, designed to reduce flaking from process build-up.



Non-Vaporizer Applications
Use: 99783A - Side Liner,
.080", No Port.



Item	P/N	Description - Material	QTY
1	99662	ELS ARC CMBR FILAMENT END LINER - MOLYBDENUM	1
2	99663	ELS REPELLER END LINER, .140" - MOLYBDENUM	1
3	99782	BASE LINER, .080 THK - MOLYBDENUM	1
4	99784	ARC SLIT LINER, .080 THK - MOLYBDENUM	1
5	99785	FACE PLATE T15, .080 LINER VERSION - MOLYBDENUM	1
6	99786	ELS ARC CHAMBER, LINER VERSION - MOLYBDENUM	1
7	99783-1	SIDE LINER .080 THK, VAPORIZER VERSION, RT -MOLYBDENUM	1
8	99783-2	SIDE LINER .080 THK, VAPORIZER VERSION, LT -MOLYBDENUM	1
9	99825M	GAS SLEEVE LINER - MOLYBDENUM	1

* Contact our sales department (sales@glemco.com) for a tungsten version of this liner system.



Glemco .080" Arc Slit Aperture

