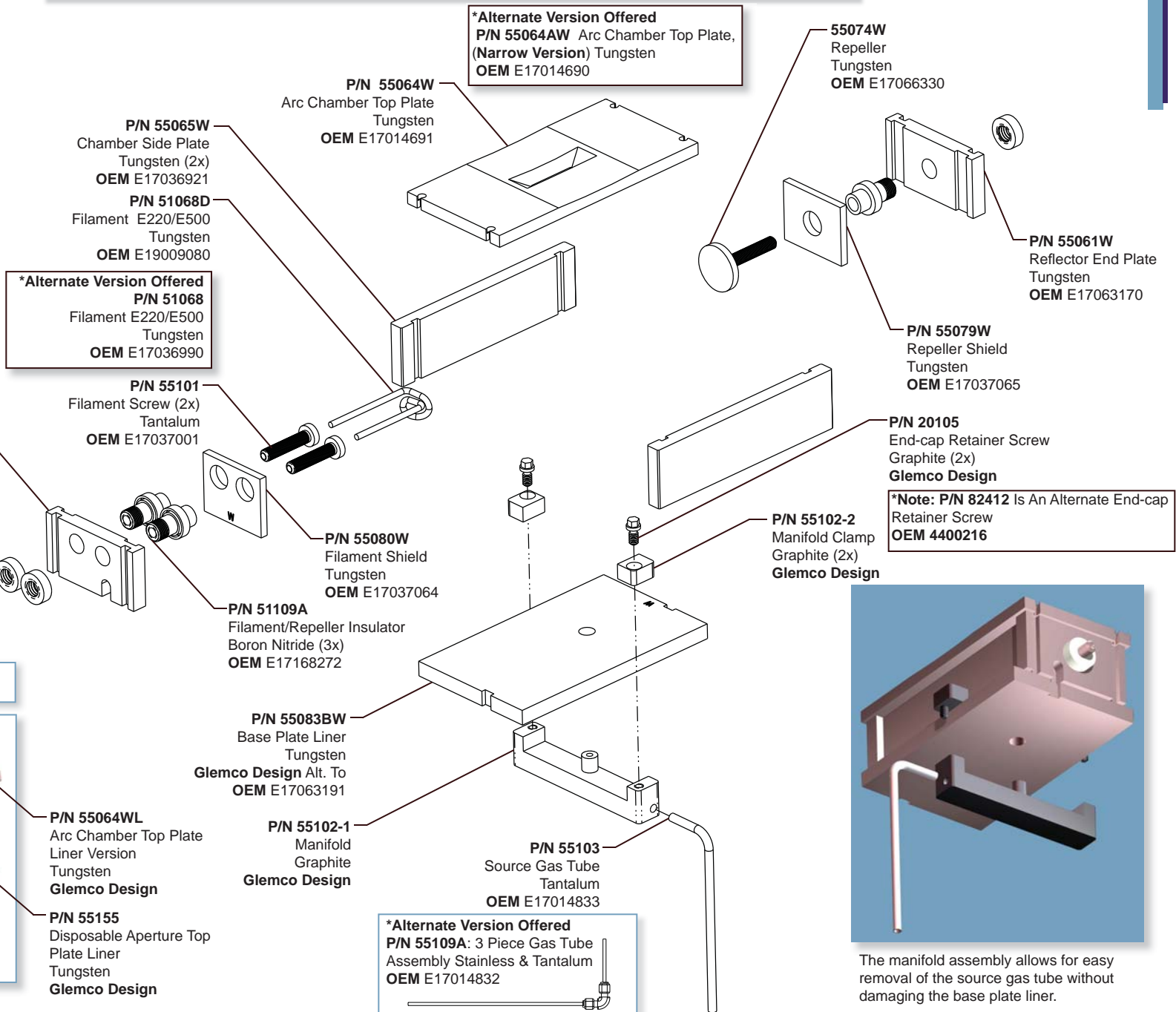
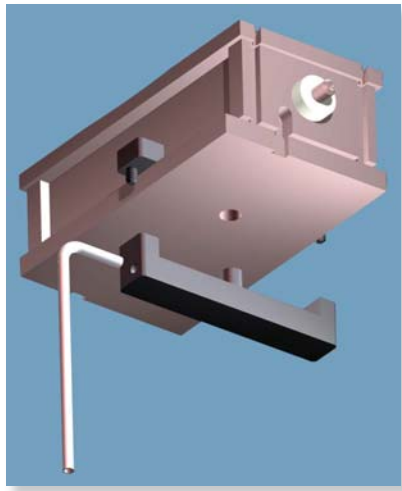




E500 / E200 Manifold Design For Varian Medium Current



We also offer the following Top Plate Assembly



The manifold assembly allows for easy removal of the source gas tube without damaging the base plate liner.