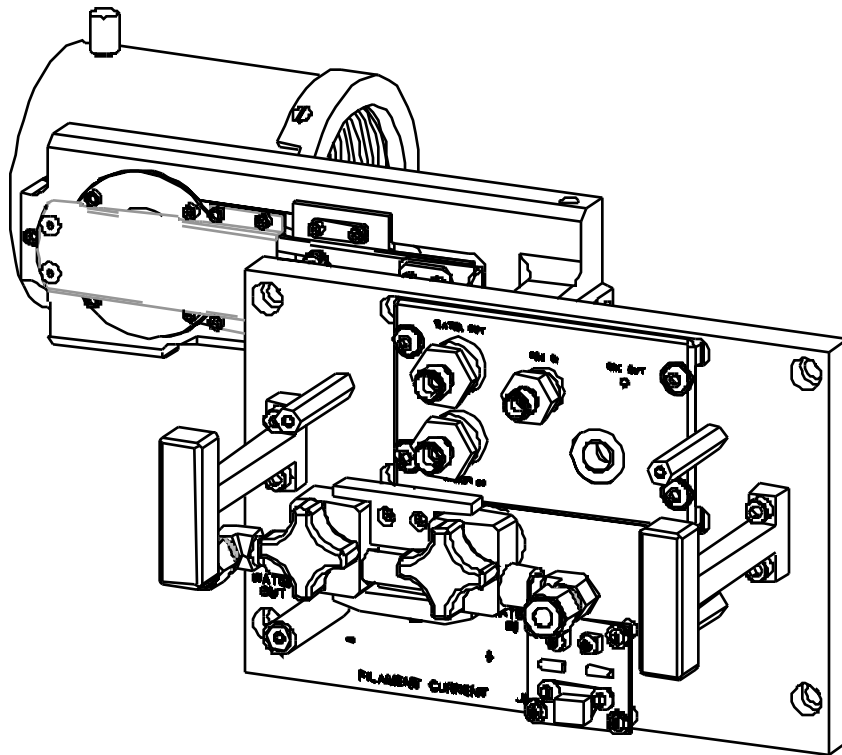


Section D

P/N: 99540

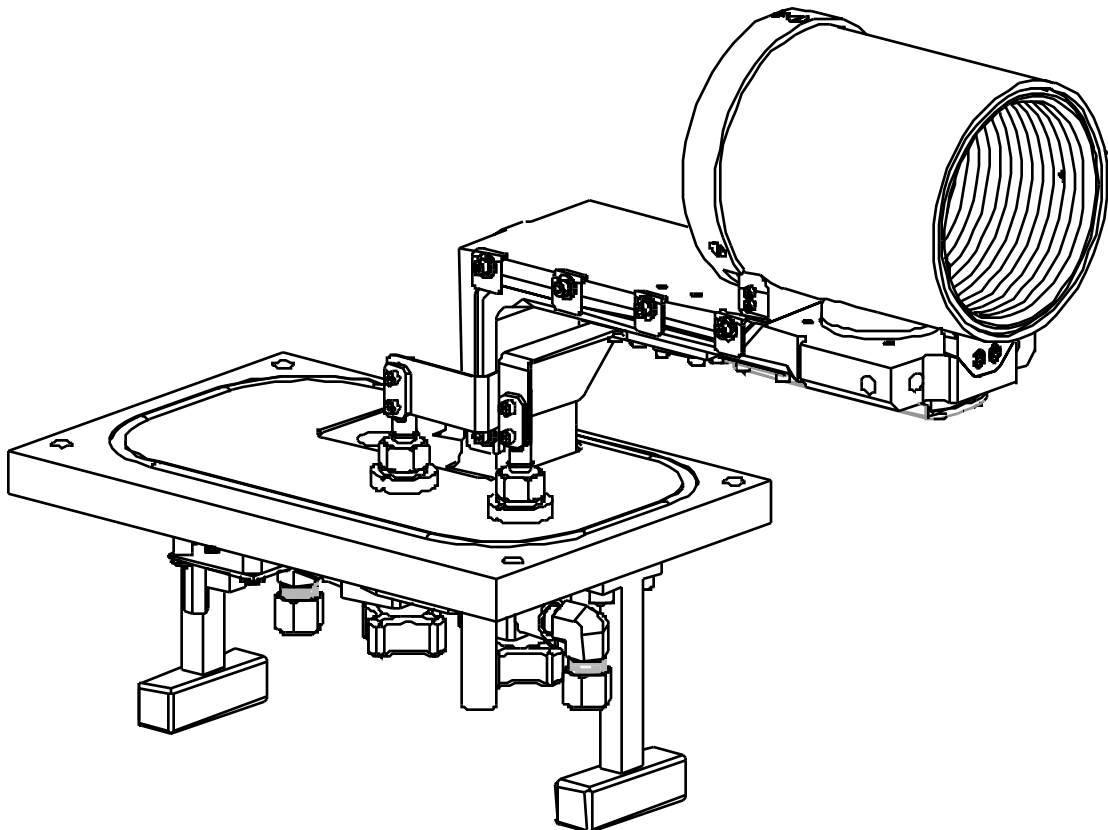
OEM 11013880

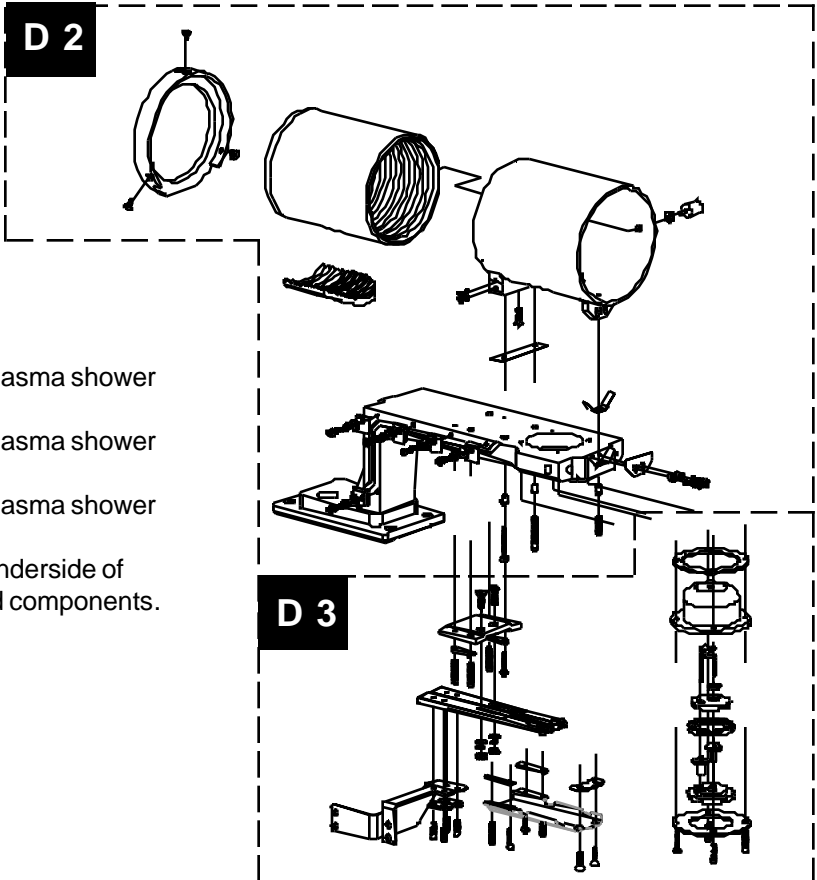
Plasma Shower Assembly
for Eaton GSD ELS



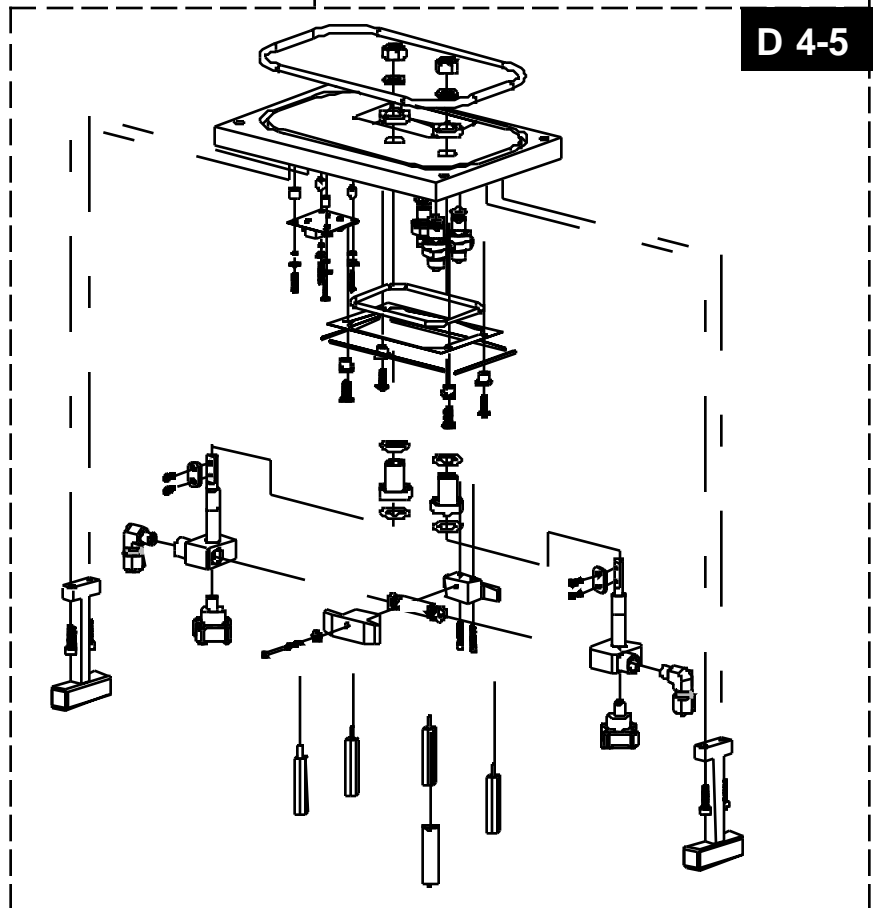
PLEASE NOTE:

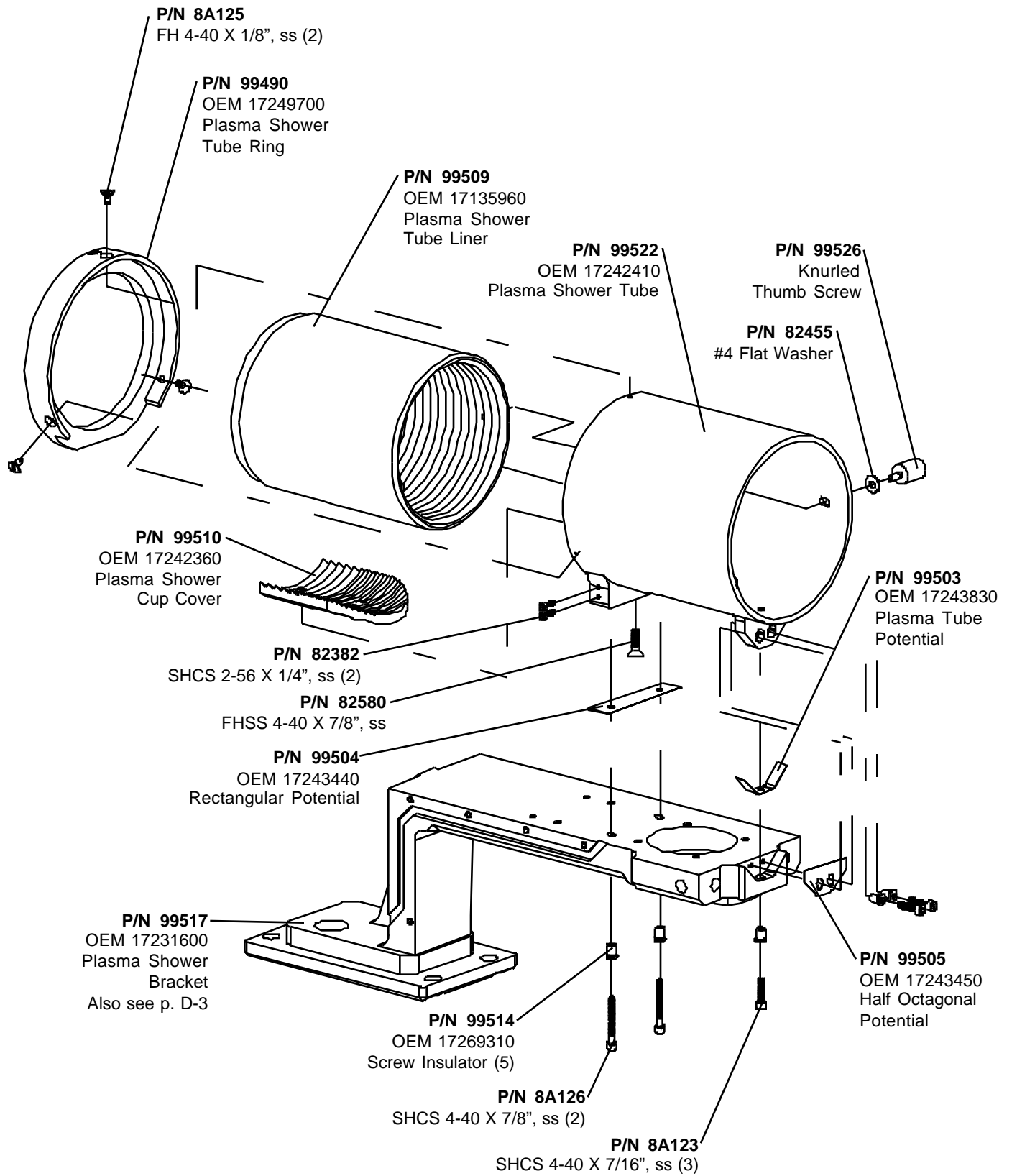
The Voltage Suppression
PCB Assembly, OEM 1426680
Rev B, the Cover Assemblies,
OEM 17249920, and the
Wiring Harness Assembly are
not available from Glemco.

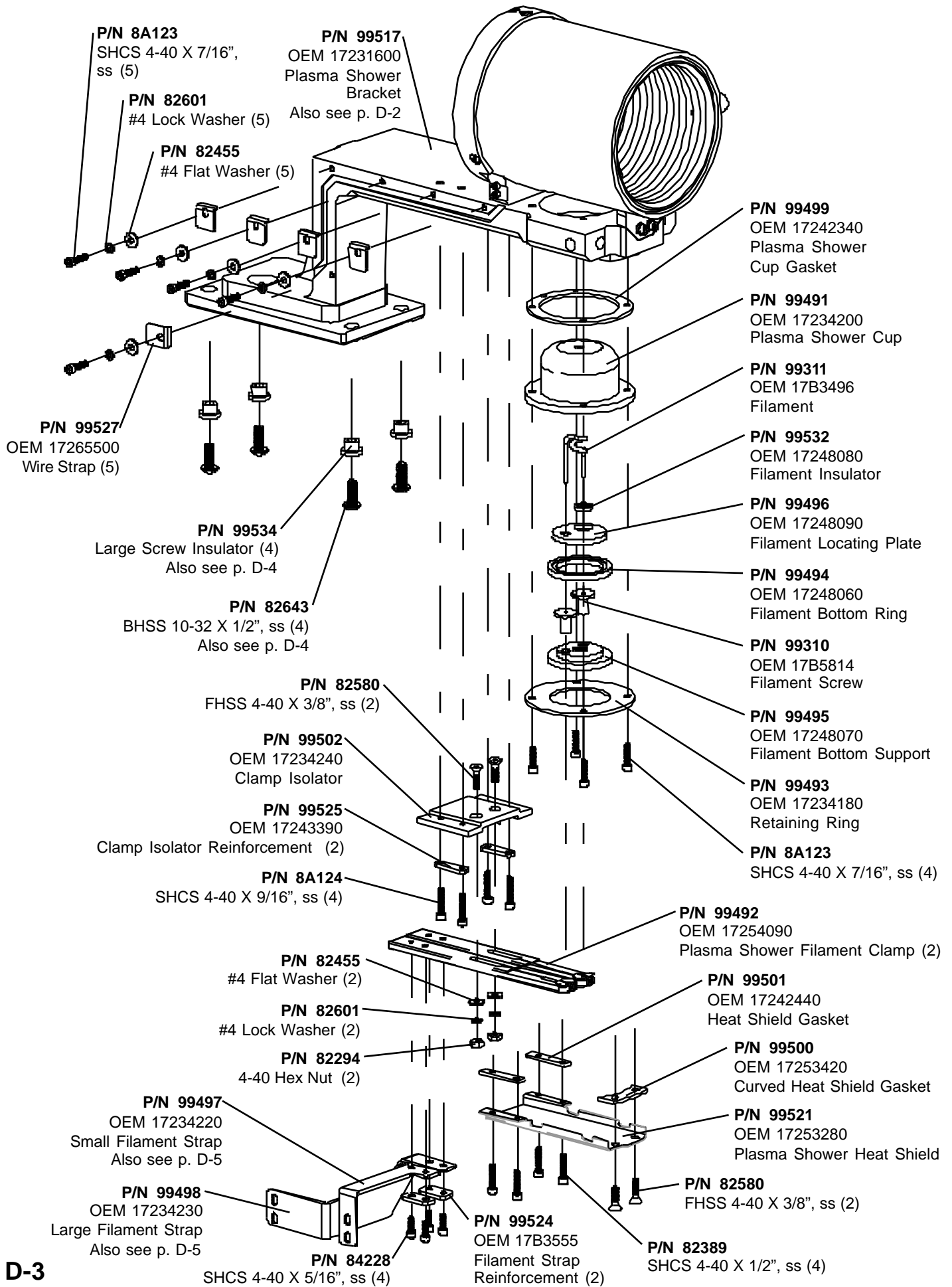


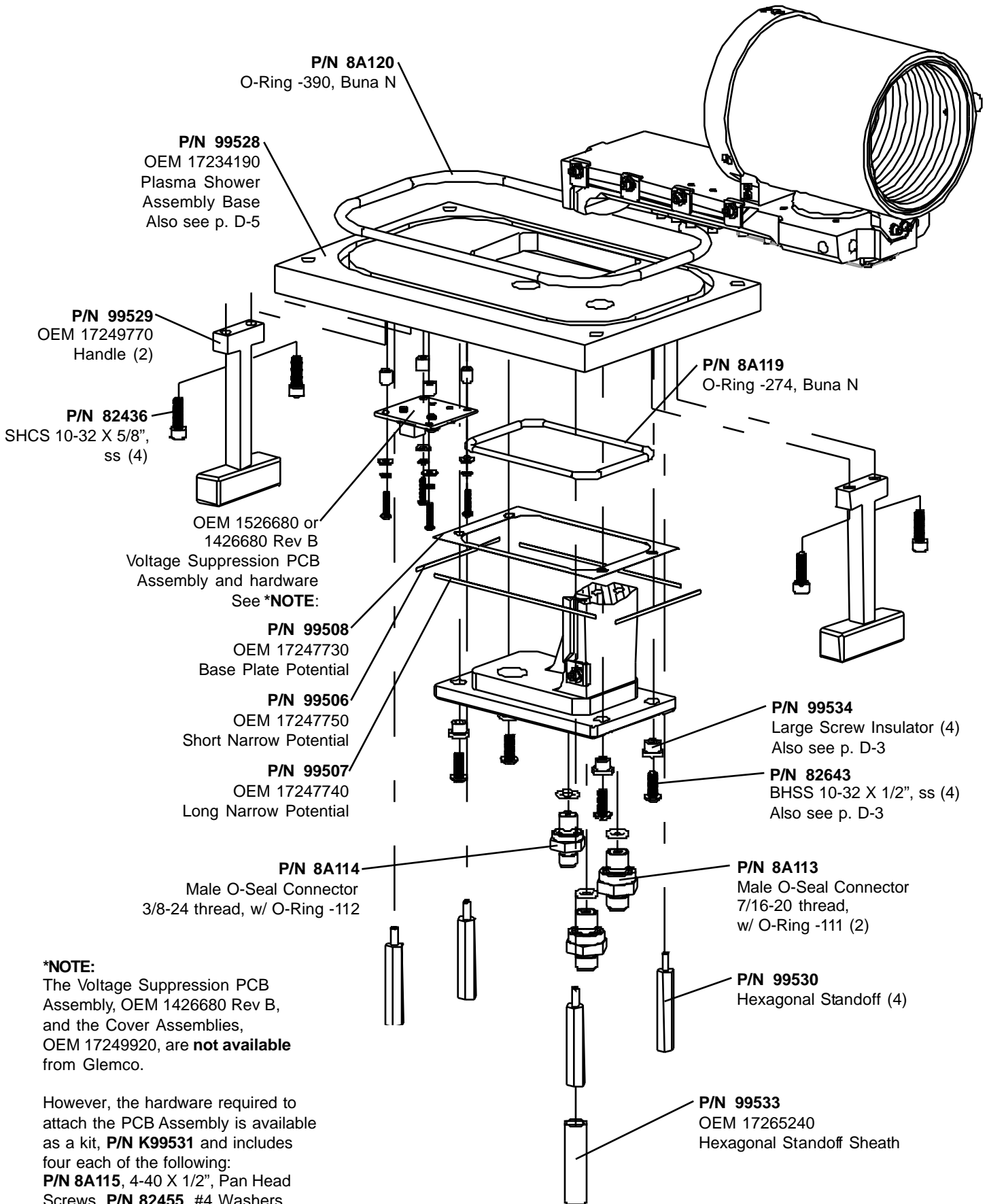


- D-2** Exploded view, with part numbers, of plasma shower tube and related components.
- D-3** Exploded view, with part numbers, of plasma shower tube interior and related components.
- D-4** Exploded view, with part numbers, of plasma shower base and related components.
- D-5** Exploded view, with part numbers, of underside of plasma shower, feed-thrus, and related components.









***NOTE:**

The Voltage Suppression PCB Assembly, OEM 1426680 Rev B, and the Cover Assemblies, OEM 17249920, are **not available** from Glemco.

However, the hardware required to attach the PCB Assembly is available as a kit, **P/N K99531** and includes four each of the following:

P/N 8A115, 4-40 X 1/2", Pan Head Screws, **P/N 82455**, #4 Washers, **P/N 82601** #4 Lock Washers, and **P/N 8A117** Standoffs. The hardware kit is also included with each order for the complete assembly.

