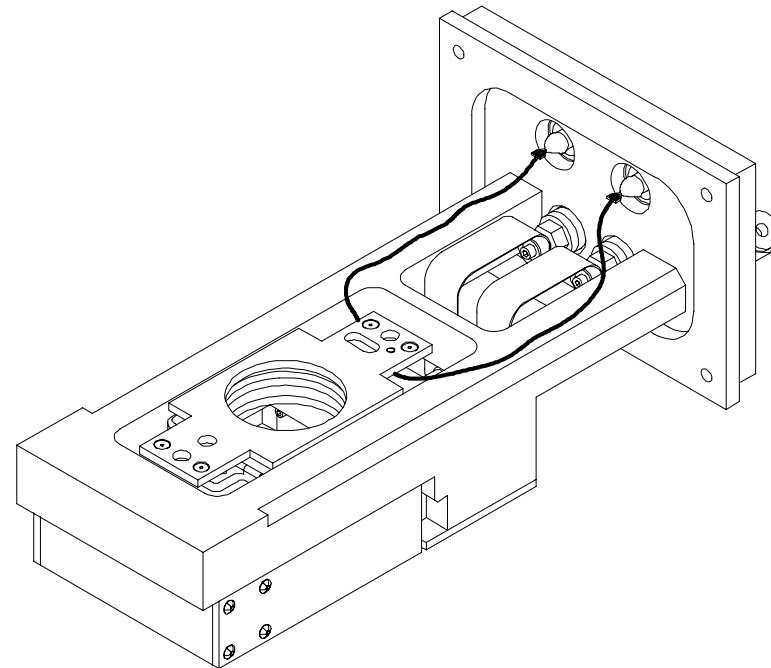
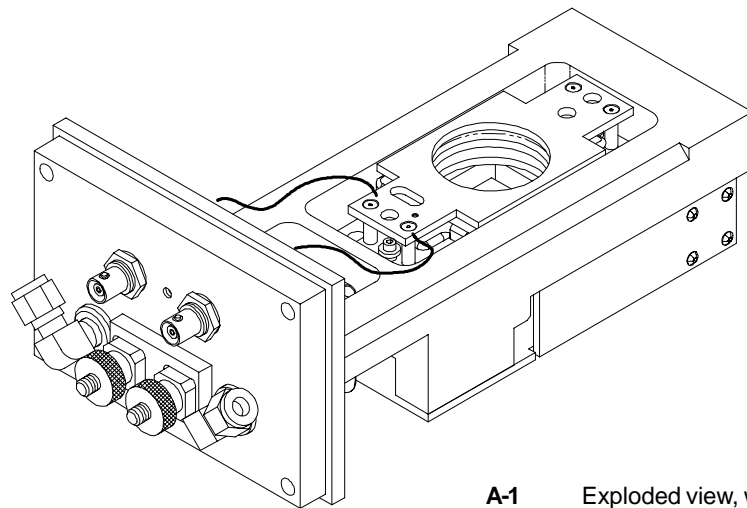
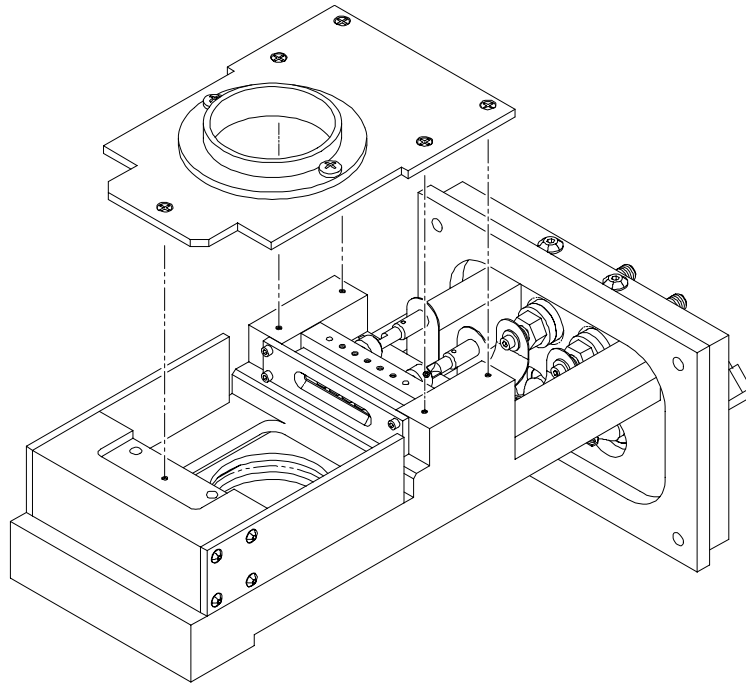


# Section A

**P/N 99348**

OEM 116441011 or  
1164411

Electron Shower Assembly  
Version 3



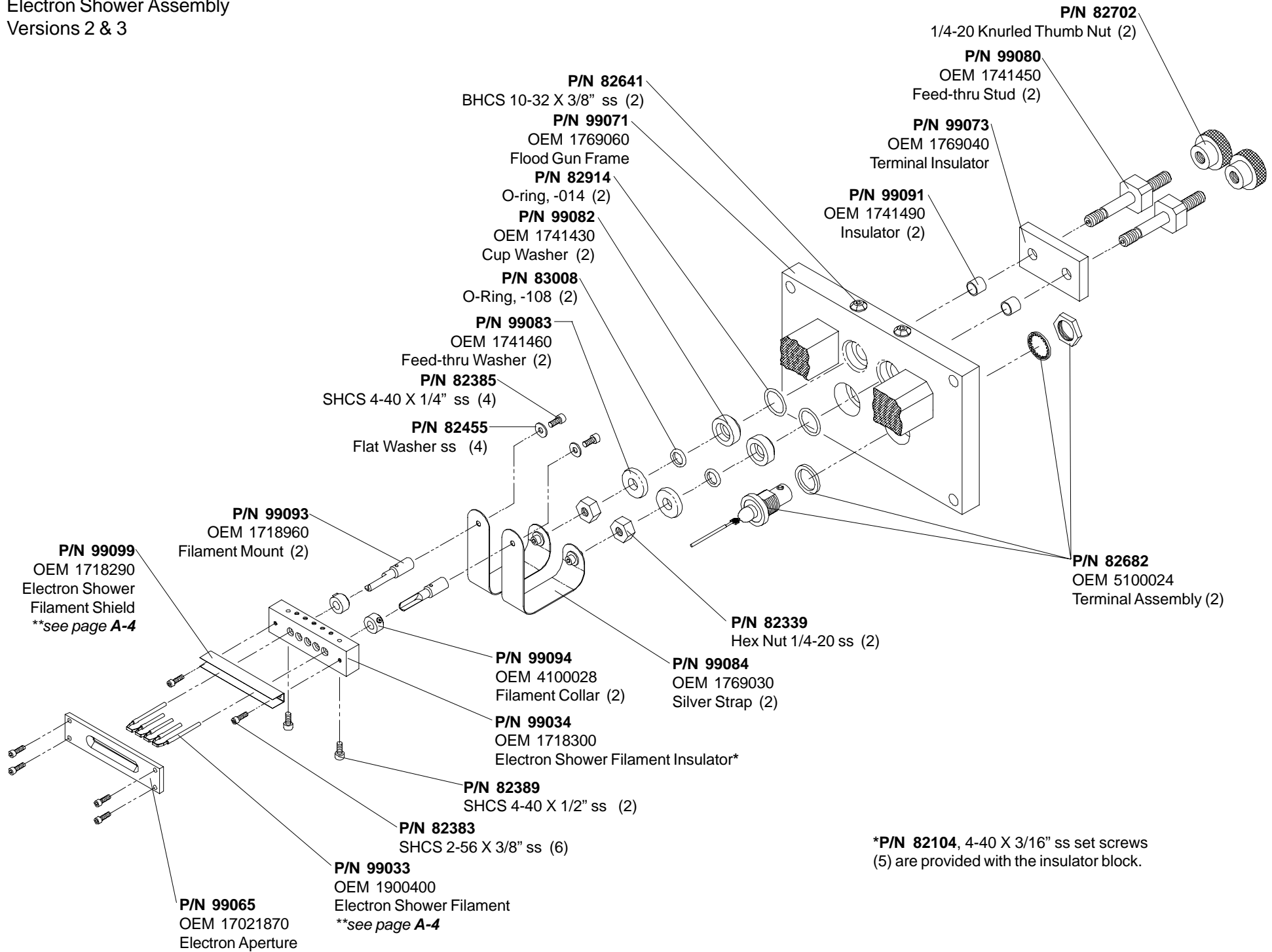
- A-1** Exploded view, with part numbers, of shower filament and related components.
- A-2** Exploded view, with part numbers, of flood gun frame and apertures
- A-3** Exploded view, with part numbers, of Electron Shower Assembly, Version 2
- A-4** Overview of the superior Glemco, Inc. electron shower filament and the modification of the electron shower filament shield.

**P/N 99349**

OEM 1118840  
Electron Shower Assembly  
Version 2

**\*\*see page A-3**

Electron Shower Assembly  
Versions 2 & 3



**P/N 82641**

BHCS 10-32 X 3/8" ss (2)

**P/N 99071**

OEM 1769060

Flood Gun Frame

**P/N 82914**

O-ring, -014 (2)

**P/N 99082**

OEM 1741430

Cup Washer (2)

**P/N 83008**

O-Ring, -108 (2)

**P/N 99083**

OEM 1741460

Feed-thru Washer (2)

**P/N 82385**

SHCS 4-40 X 1/4" ss (4)

**P/N 82455**

Flat Washer ss (4)

**P/N 99093**

OEM 1718960

Filament Mount (2)

**P/N 99099**

OEM 1718290

Electron Shower

Filament Shield

\*\*see page A-4

**P/N 99094**

OEM 4100028

Filament Collar (2)

**P/N 99084**

OEM 1769030

Silver Strap (2)

**P/N 99034**

OEM 1718300

Electron Shower Filament Insulator\*

**P/N 82389**

SHCS 4-40 X 1/2" ss (2)

**P/N 82383**

SHCS 2-56 X 3/8" ss (6)

**P/N 99033**

OEM 1900400

Electron Shower Filament

\*\*see page A-4

**P/N 99065**

OEM 17021870

Electron Aperture

**P/N 82702**

1/4-20 Knurled Thumb Nut (2)

**P/N 99080**

OEM 1741450

Feed-thru Stud (2)

**P/N 99073**

OEM 1769040

Terminal Insulator

**P/N 99091**

OEM 1741490

Insulator (2)

**P/N 82682**

OEM 5100024

Terminal Assembly (2)

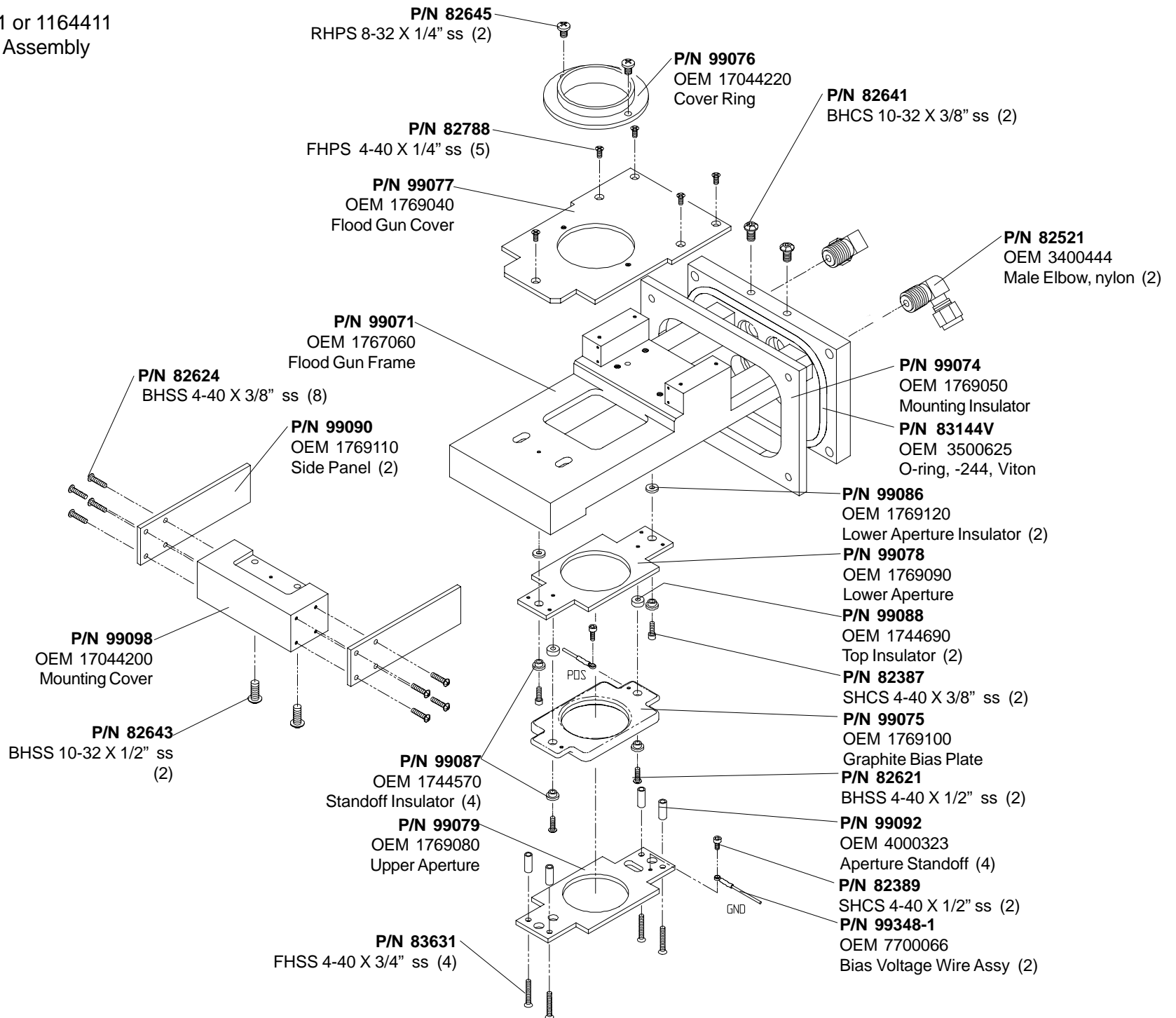
\*P/N 82104, 4-40 X 3/16" ss set screws (5) are provided with the insulator block.

**P/N 99348**

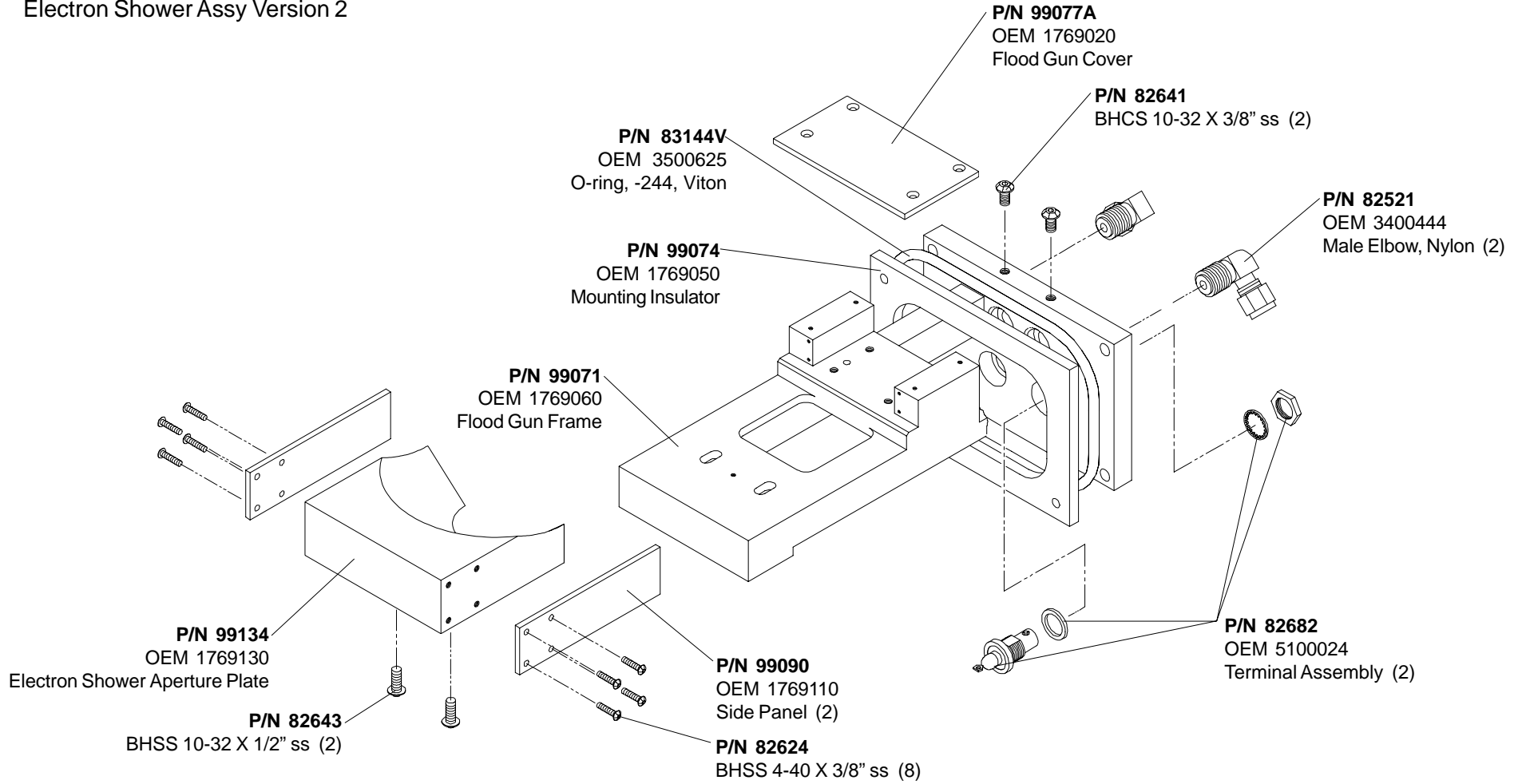
OEM 116441011 or 1164411

Electron Shower Assembly

Version 3



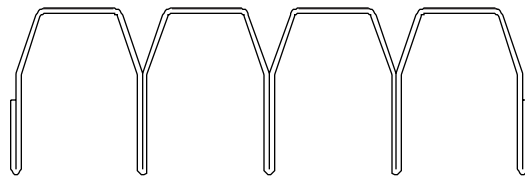
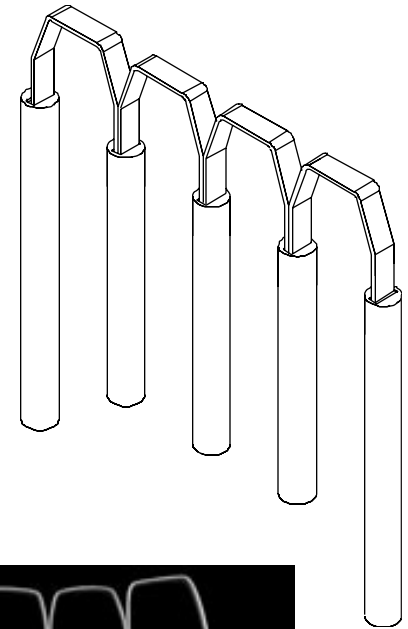
**P/N 99349**  
 OEM 1118840  
 Electron Shower Assy Version 2



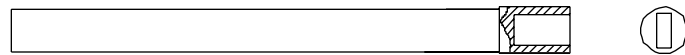
**P/N 99033**  
OEM 1900400

The **SUPERIOR** Glemco, Inc. Shower Filament:

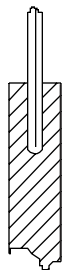
Glemco, Inc. takes a length of tungsten ribbon and bends it into one continuous, precise form. Each leg of this one-piece wireform joins each leg of the filament using high-pressure mechanical crimping. The tantalum cold deforms tightly around each of the five attachment points and makes positive connections between the filament and the legs. The electron shower filament manufactured by Glemco, Inc. offers the customer an easy to use filament designed to slip into the insulator block without manipulation. These features combined make our shower filament a dependable, reliable alternative.



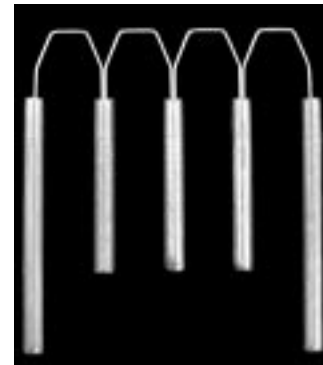
One-piece tungsten wireform



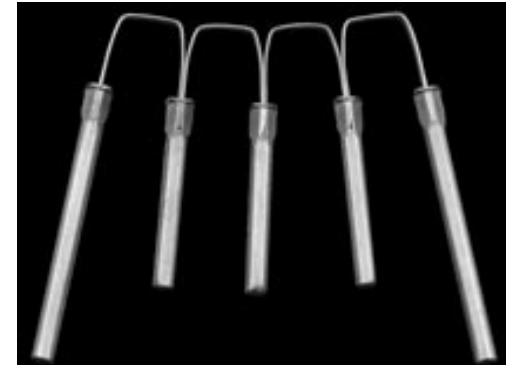
Filament leg:  
Deep, closely toleranced swaging



High-pressure mechanical crimping



Our filament is manufactured with parallel legs that fit easily into the insulator block.



Competitor's filament is splayed and is difficult to install into the insulator block.

**P/N 99099**, OEM 1718290:

Electron Shower Filament Shield

The cross-cuts designed to provide electrical connection between the electron shower filament and the shield have been pre-formed in the Glemco, Inc. shield to facilitate installation of the shower filament.

