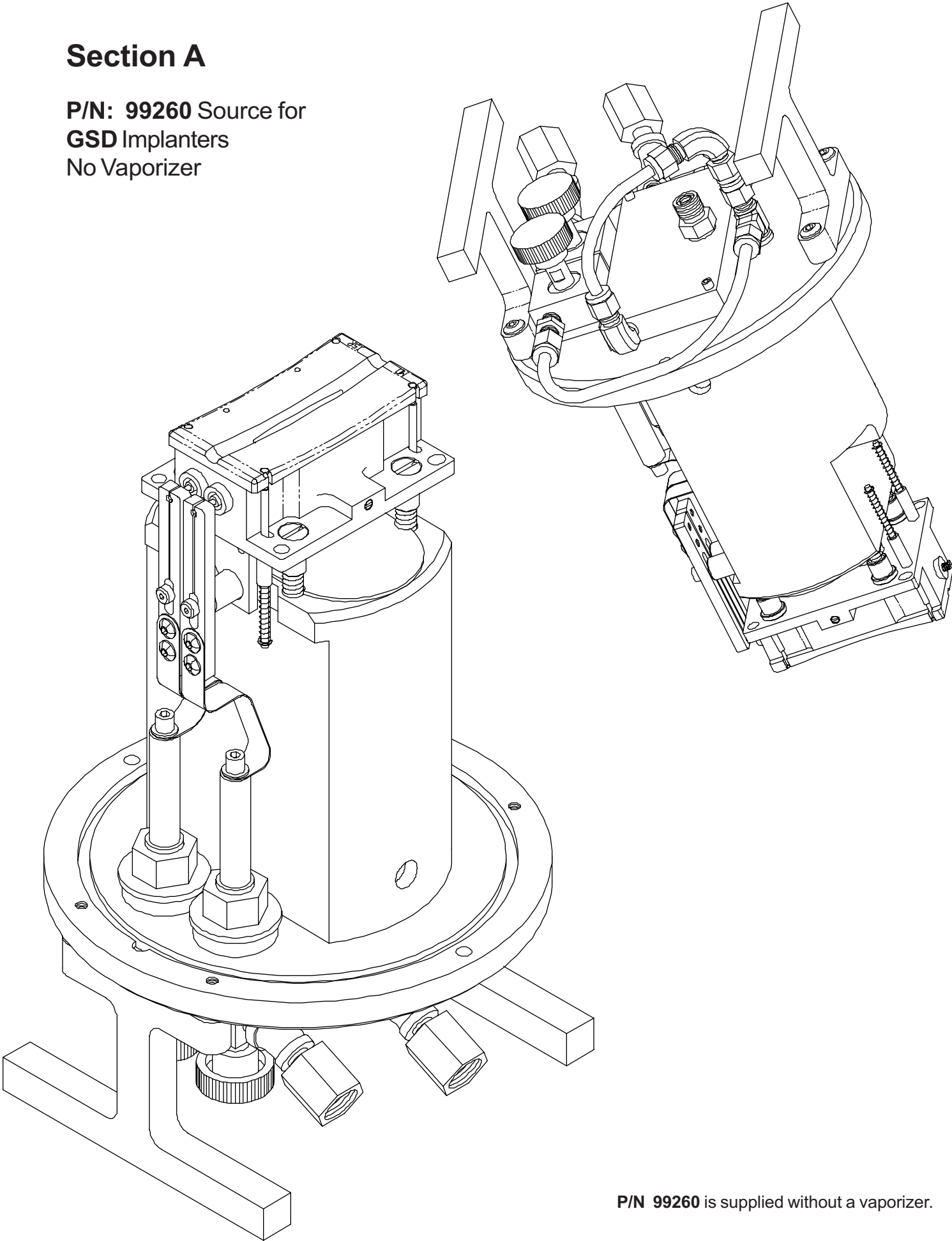


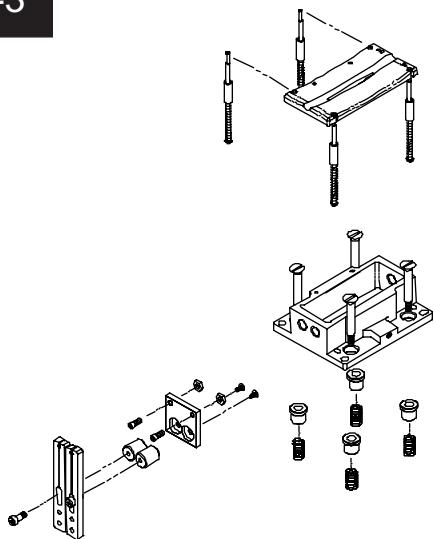
Section A

P/N: 99260 Source for
GSD Implanters
No Vaporizer

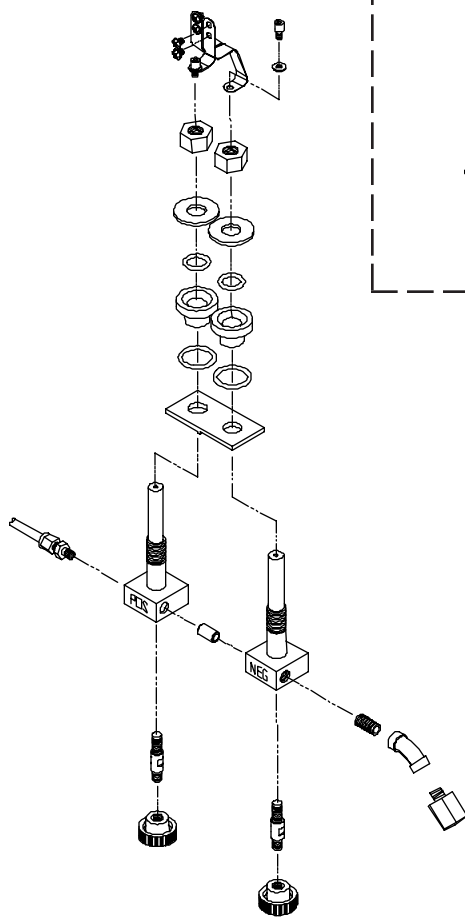


P/N 99260 is supplied without a vaporizer.

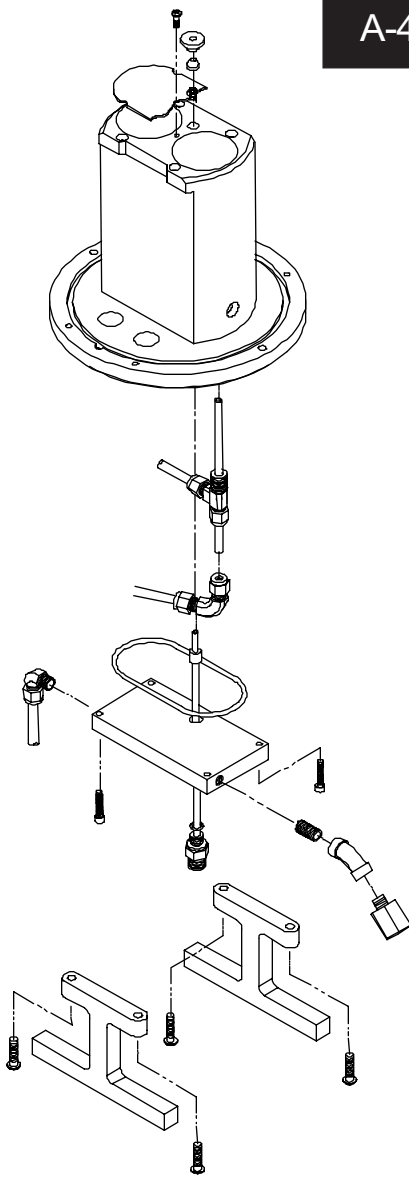
A 2-3



A-5



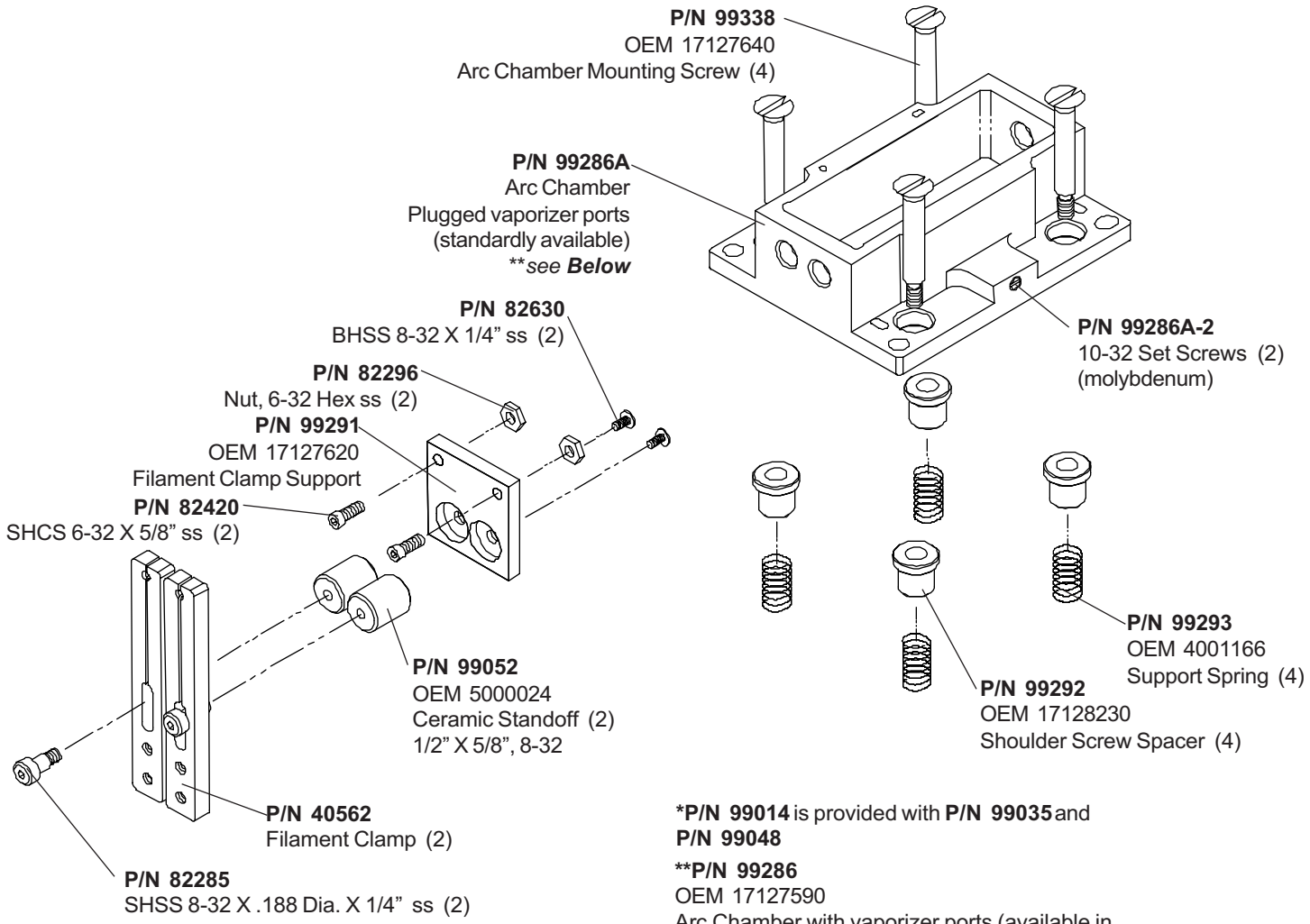
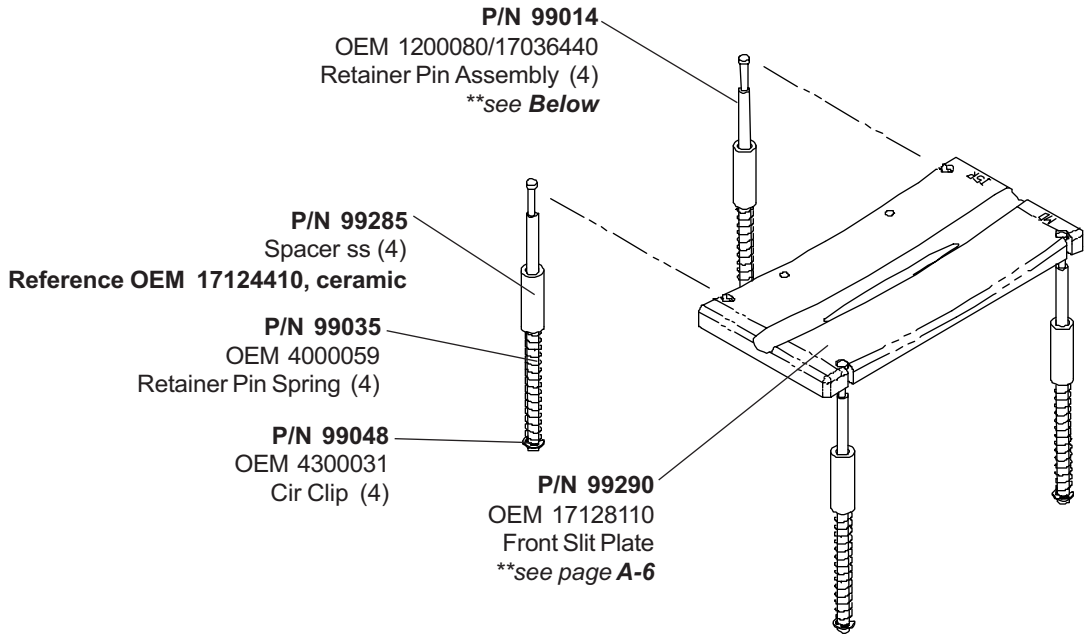
A-4



A 6-7

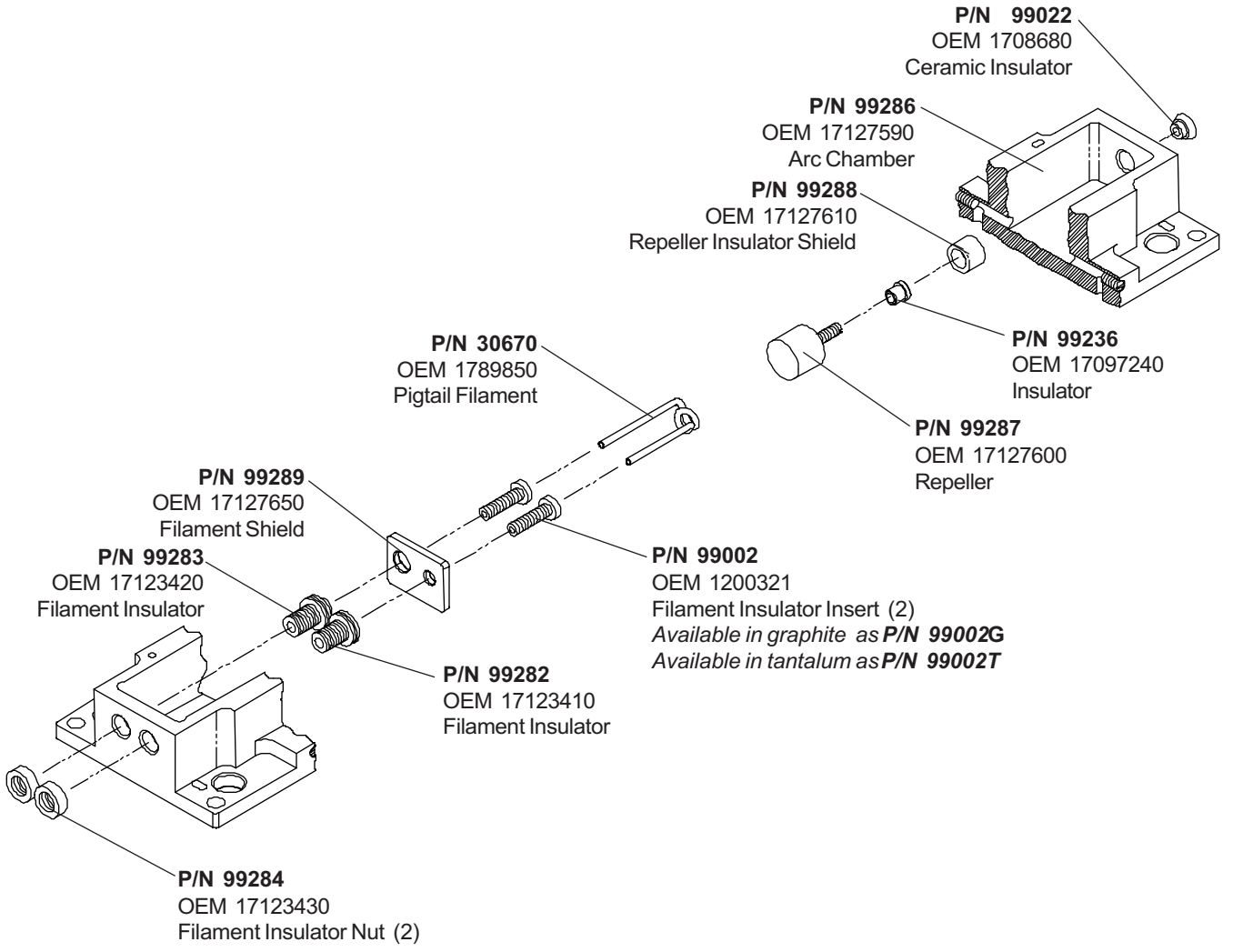
Component and modification choices for older style GSD source

- A-2 Section labeled with part numbers, referencing appropriate pages.
- A-3 Exploded view of interior components of arc chamber.
- A-4 Section labeled with part numbers, referencing appropriate pages.
- A-5 Section labeled with part numbers.
- A-6 Component choices for older style GSD source.
- A-7 Exploded view of interior components of arc chamber for older style GSD source.

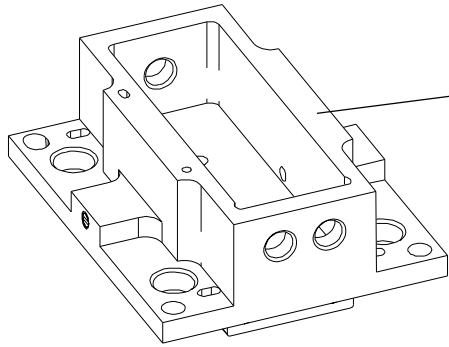


***P/N 99014** is provided with **P/N 99035** and **P/N 99048**

****P/N 99286**
OEM 17127590
Arc Chamber with vaporizer ports (available in place of **P/N 99286A**) with **P/N 99286-2**: 10-32 Set Screws (2), (molybdenum)



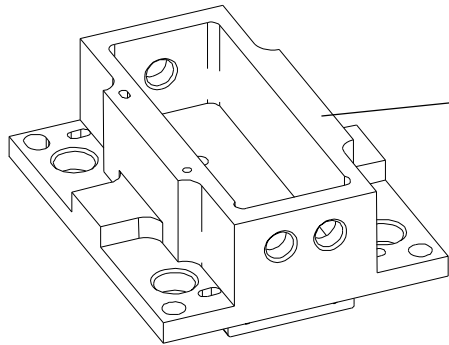
GSD IAS Arc Chamber and Liner Options



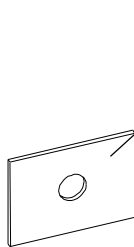
P/N 99286
 OEM 17127590
 IAS Arc Chamber
 (no accommodation for liners)
 Also available in tungsten
 as **P/N 99286W**.
 *See **NOTE**:

***NOTE:**

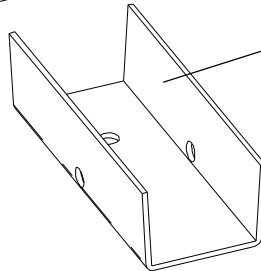
For Conversion of non-liner
 versions of IAS Arc Chambers
 (including OEM models),
 provide Arc Chamber and
 order **P/N 99286SLM**.



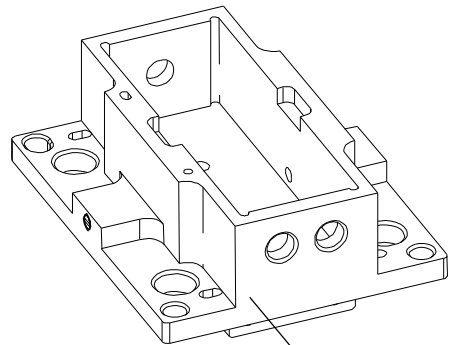
P/N 99286A
 IAS Arc Chamber, no vaporizer ports
 (or plugged vaporizer ports)
 (no accommodation for liners)
 Also available in tungsten
 as **P/N 99286AW**.
 *See **NOTE**:



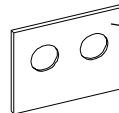
P/N 99440
 IAS Arc Chamber Liner,
 Repeller End
 (.313 diameter repeller hole)
 Also available in tungsten as
P/N 99440W.



P/N 99439
 IAS Arc Chamber Liner
 Also available in tungsten
 as **P/N 99439W**.
**NOTE: Please specify for use
 with or without vaporizer.**



P/N 99286L
 IAS Arc Chamber
 (use with liners)
 Also available in graphite as
P/N 99286G.
**NOTE: Please specify for use
 with or without vaporizer.**



P/N 99441
 IAS Arc Chamber Liner,
 Filament End
 Also available in tungsten
 as **P/N 99441W**.

P/N 82633
BHSS 8-32 X 1/2" ss

P/N 99252
Vaporizer Exit Shield

P/N 99177
OEM 17033150
SKT Joint

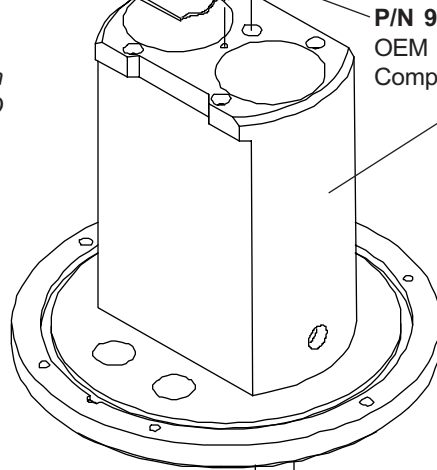
P/N 99176
OEM 17033160
Ball Joint

P/N 99172A
Inconel Compression Spring
••Inconel is a high temperature alloy that performs better and lasts longer than stainless steel.

P/N 99172
OEM 17033140
Compression Spring ss

P/N 99276
OEM 17126660
Source Body

See page **A-6** and **A-7** for information regarding upgrade of older GSD sources to this design.



P/N 99331
Vaporizer Heat Shield Retainer

P/N 99336
Vaporizer Heat Shield (2)

These parts are available for use with a vaporizer. **P/N 99260**, the Glemco GSD Source, is manufactured without vaporizer components.

P/N 99335
Cooling Tube Assembly

P/N 82751
1/4" O.D. Polyethylene Tubing

P/N 82535
1/4" Union Elbow

P/N 82217
O-Ring, -241

P/N 82528
1/4" Male Elbow

P/N 99251
Vaporizer Blank-Off Plate

P/N 82442
SHCS 10-32 X 1" ss (4)

P/N 82515
1/8" NPT Nipple

P/N 99334
Nozzle (if purchased separately)

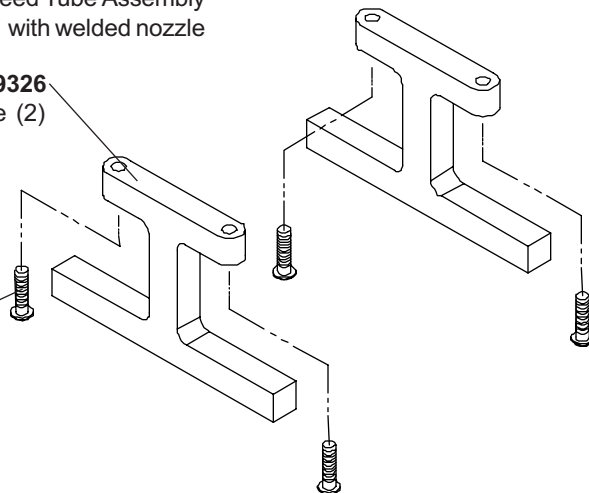
P/N 99333
OEM 17032980
Gas Feed Tube Assembly with welded nozzle

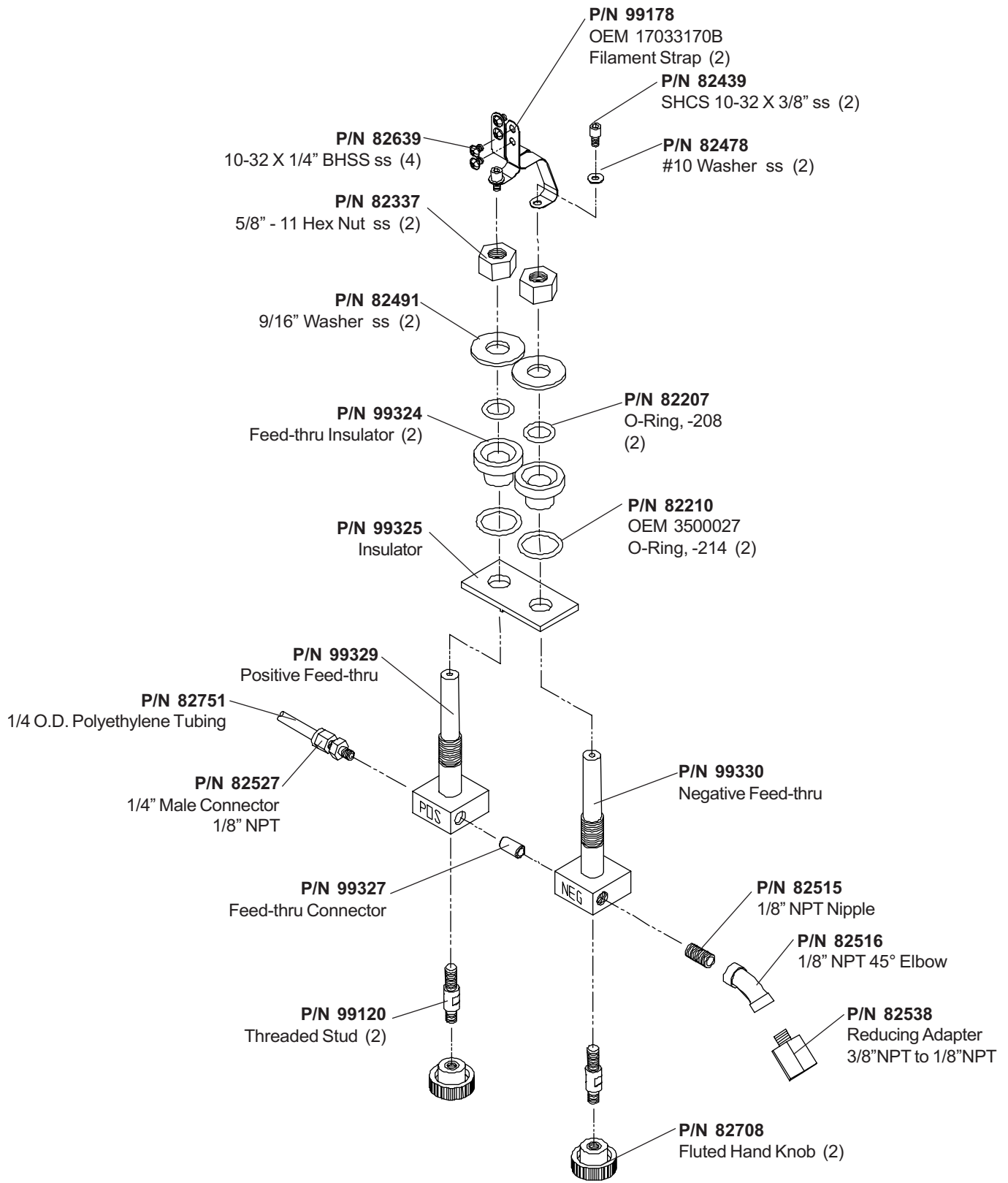
P/N 82516
1/8" NPT 45° Elbow

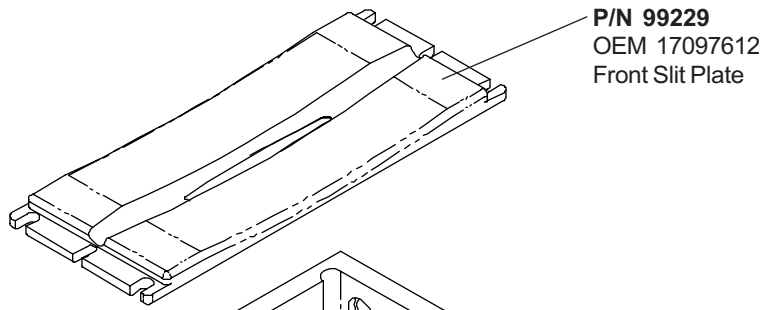
P/N 99326
Source Handle (2)

P/N 82538
Reducing Adapter, 3/8" NPT to 1/8" NPT

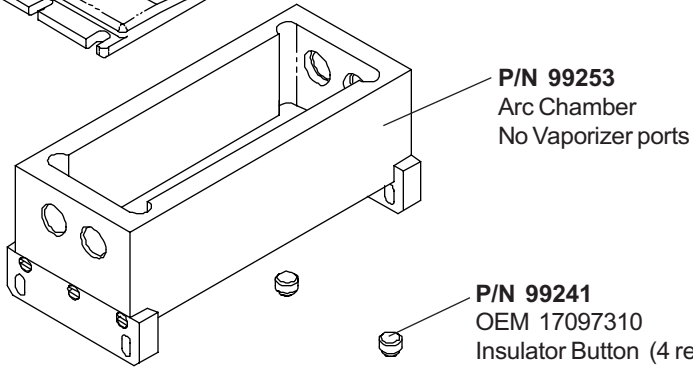
P/N 82655
BHSS 1/4-20 X 1" ss (4)





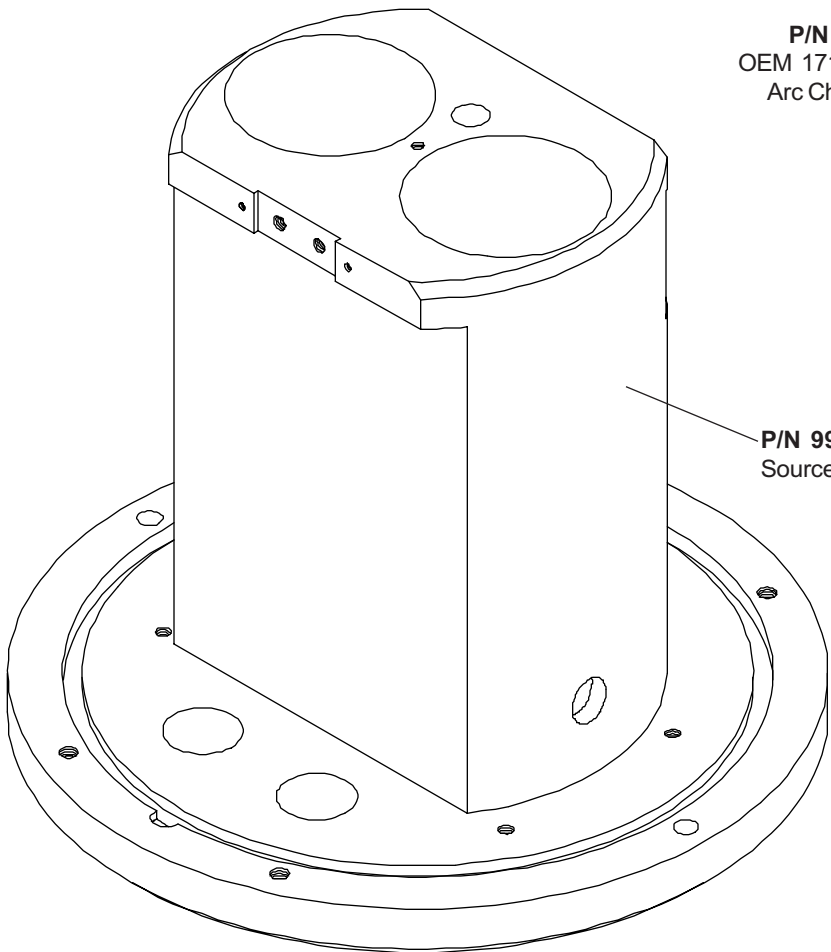


P/N 99229
OEM 17097612
Front Slit Plate



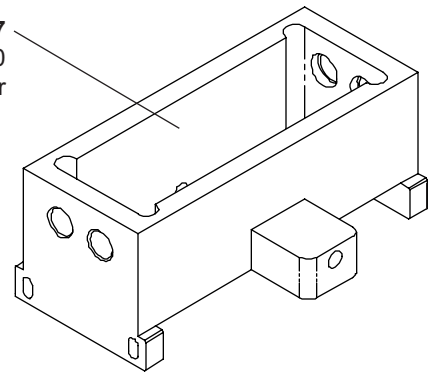
P/N 99253
Arc Chamber
No Vaporizer ports

P/N 99241
OEM 17097310
Insulator Button (4 required)



P/N 99227
OEM 17109090
Arc Chamber

P/N 99273
Source Body**



This source body is for the older version GSD source. This body can be modified to accommodate the components that fit the newer version GSD source, **P/N 99276, (see page **A-4**). Use **P/N 99277** to order the modification to an older source body.

See page **A-7** for component choices for these arc chambers.

