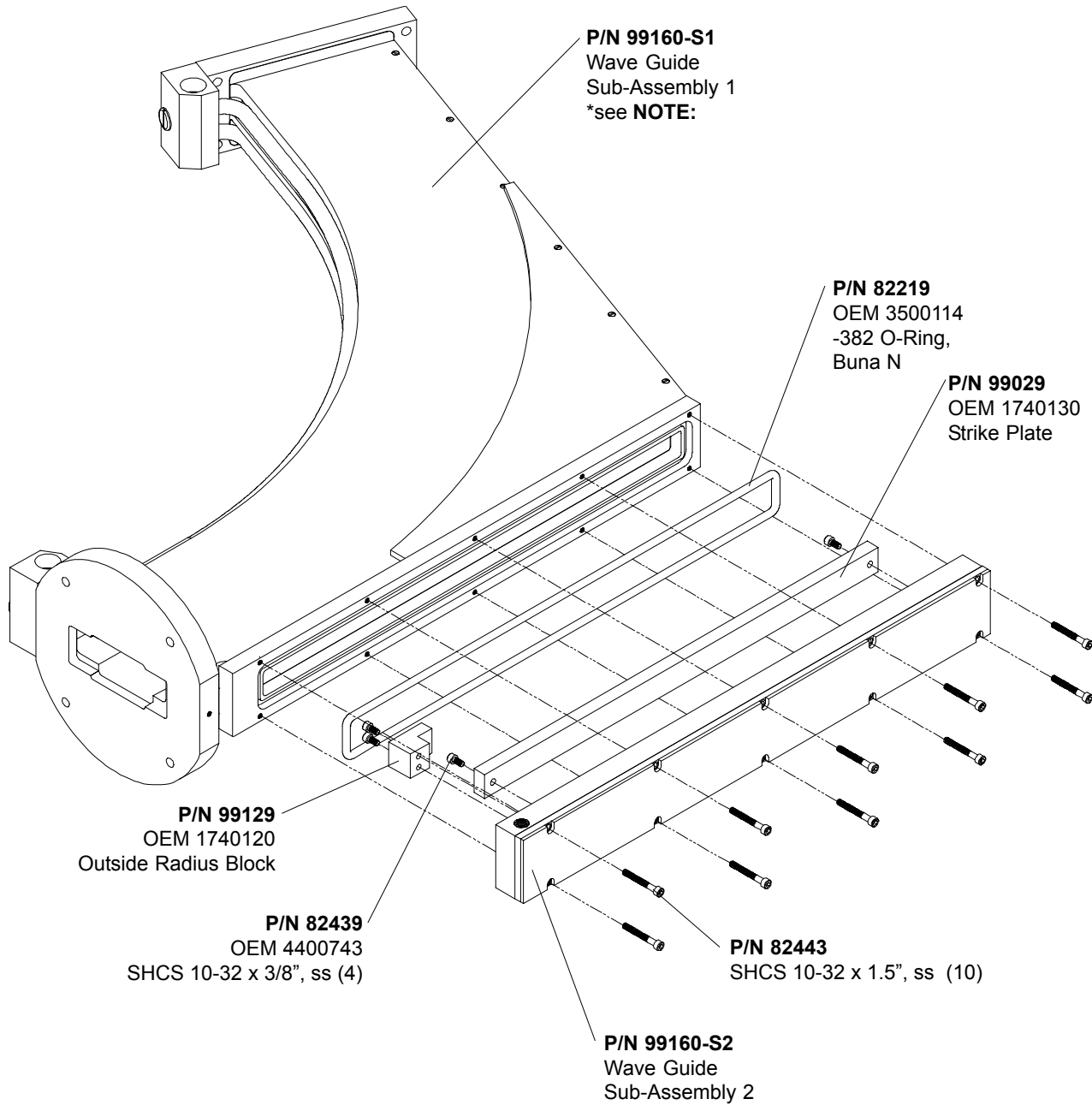


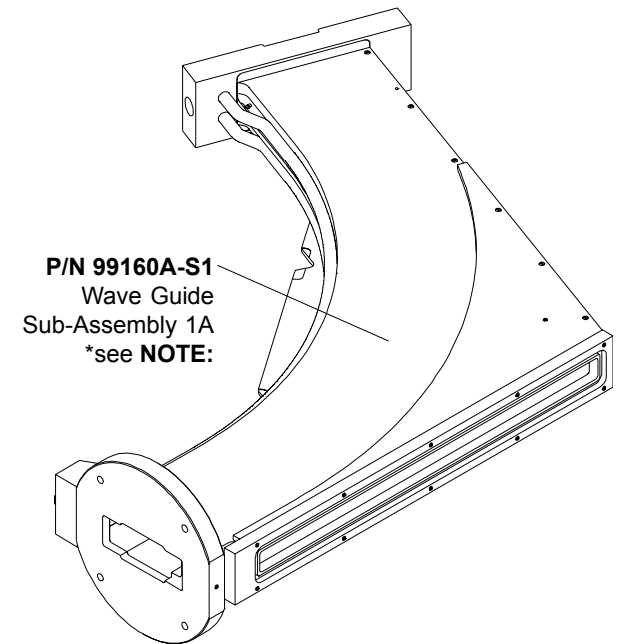
Key to Sections

- E-1** Exploded view, with part numbers, of Wave Guide sub-assemblies.
- E-2** Exploded view, with part numbers, of Wave Guide liner blocks.

Section E
P/N: 99160
OEM 1103970
Wave Guide Assembly
for **10-80, 10-160, and NV-10 Implanters**



***NOTE:** The Wave Guide Sub-Assembly1A, **P/N 99160A-S1**, fits a different machine configuration than **P/N 99160-S1**. The additional components shown here may be used to complete either assembly and are also sold separately.



****NOTE:**

The 32 piece Liner Block Set, **P/N 99151** includes:

| | | |
|--------------------|----------------|----|
| P/N 99151-1 | (OEM 17062931) | 1 |
| P/N 99151-2 | (OEM 17062932) | 1 |
| P/N 99151-3 | (OEM 17062933) | 1 |
| P/N 99151-4 | (OEM 17062934) | 1 |
| P/N 99151-5 | (OEM 17062935) | 1 |
| P/N 99155 | (OEM 1732990) | 27 |

***NOTE:** The Liner Block Mounting Assembly, **P/N 99152**, includes two end brackets and a mounting wire.

