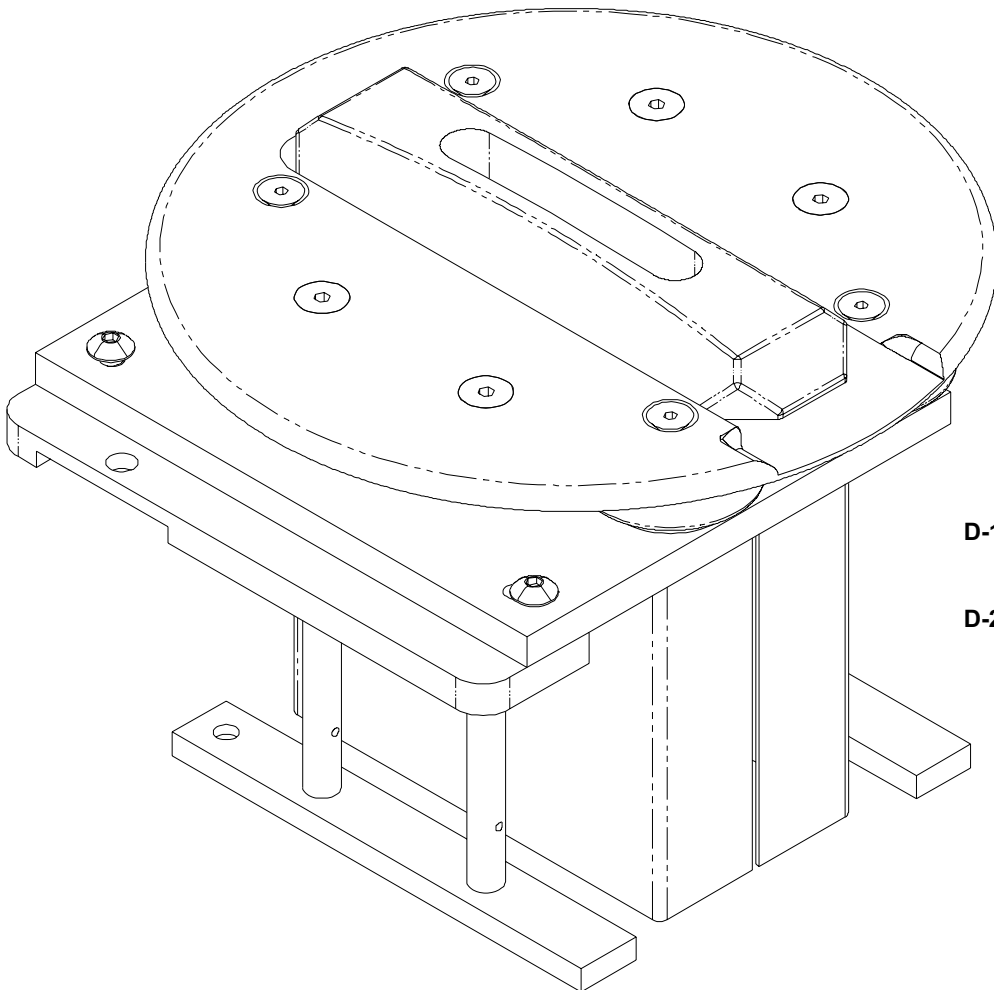
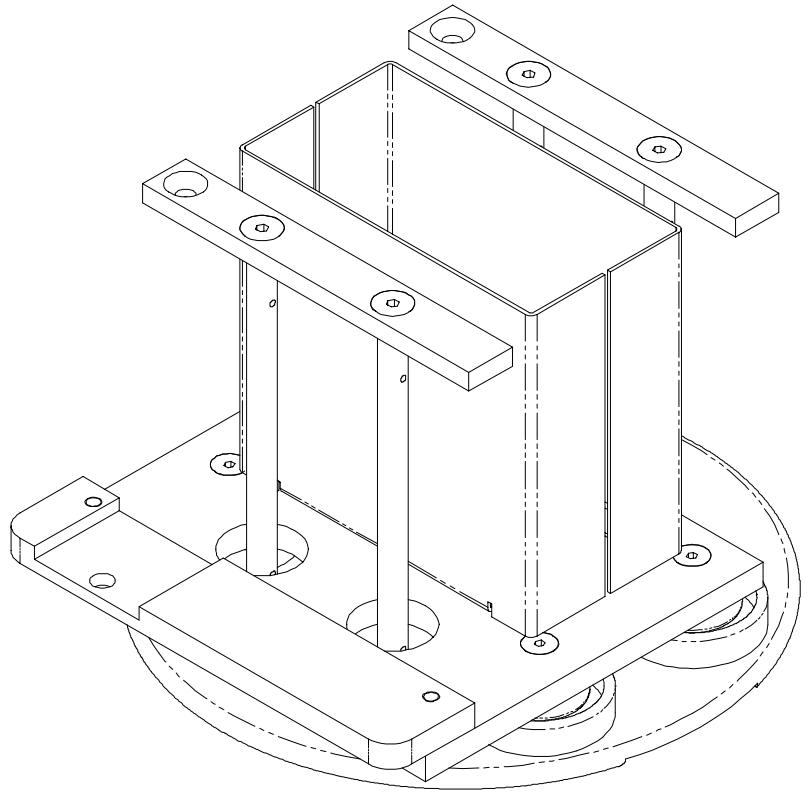


Section D

P/N: 99144

OEM 1102460

Extraction Electrode Assembly



D-1 Curved Field Block, Cups, Standoffs, Block Carrier, and Ground Plate

D-2 Ground Plate, Support, Bracket, Standoffs, and Bar

