

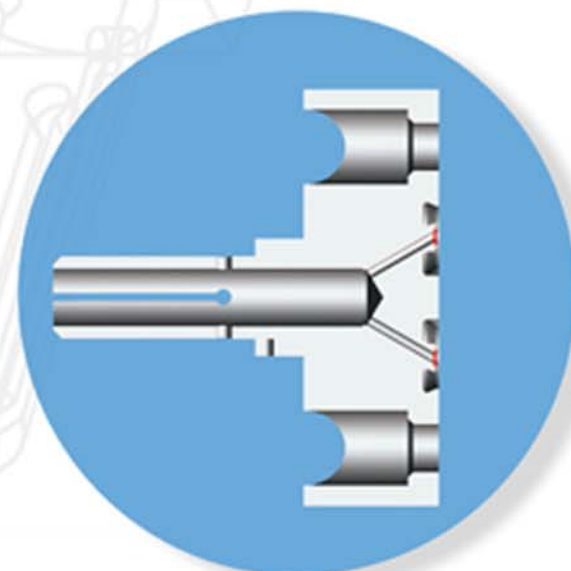


HIGH PERFORMANCE INJECTOR NOZZLE FOR NOVELLUS PECVD TOOLS

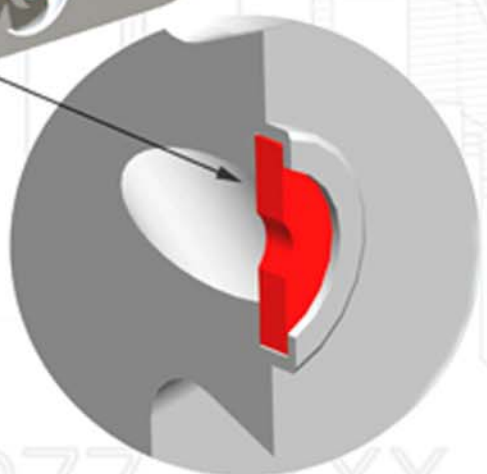
Silicon-Dioxide Injector Nozzles for Novellus PECVD Equipment.

- Proprietary polishing procedure for superb performance
- Chemically inert synthetic ruby orifices for consistent processing
- Number engraved on part reflects orifice diameter for easy reference
- Process flexibility by customizing configurations

For more information, or to speak with a sales engineer regarding your application call 512.259.0320 or E-mail sales@glemco.com



- Highly engineered, precise mechanical crimp



Glemco P/N's	Orifice Ø (Silane)	Orifice Ø (Oxygen)	OEM Reference No.
97077-2220	.0200"	.0220"	15-259022-020
97077-2221	.0210"	.0220"	15-259022-021
97077-2222	.0220"	.0220"	15-113064-00 REV B
97077-2223	.0230"	.0220"	15-259022-023
97077-2224	.0240"	.0220"	15-259022-024

