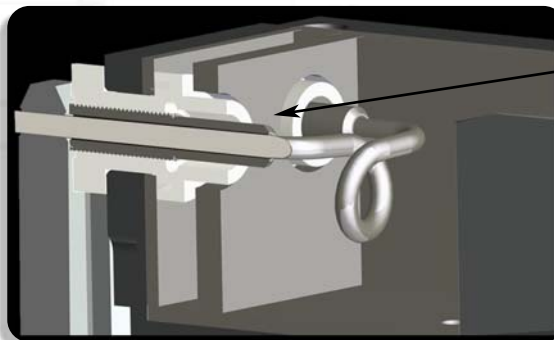




# GLEMCO DESIGN E500 ARC CHAMBER & LINER SYSTEM



"Headless" filament insert reduces flaking and shorting

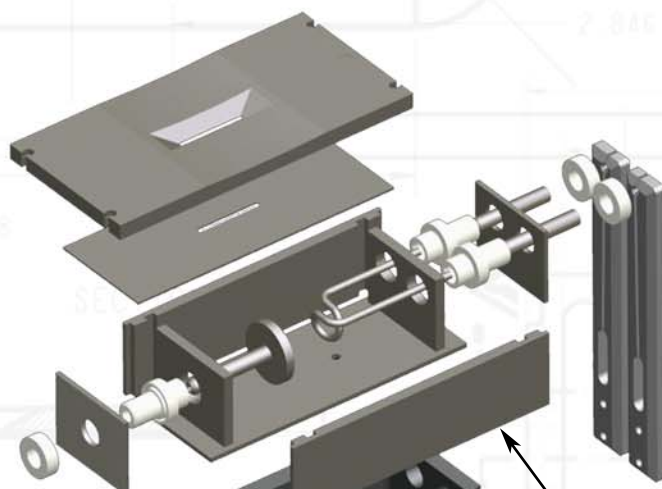


## DESIGN FEATURES AND BENEFITS

- Monolithic arc chamber improves source efficiency
- Multiple material options available for specific process requirements

### Lower cost of Ownership!

- Replaceable liners
- Replaceable arc slit aperture
- Gas feed tube with replaceable tip Part No. 55109A-3



One piece arc chamber uses replaceable liners

Replaceable Ta gas feed tip P/N 55109A-3

### Part Description

Part Description	Arc Chamber Identifier		
	Molybdenum	Tungsten	
Monolithic Arc Chamber	55150	55150W	Glemco Design
	Liner Plate Identifier		
	Molybdenum	Tungsten	
Side Liner	55163	55163W	Glemco Design
Base Liner	55160	55160W	Glemco Design
Repeller End Liner	55162	55162W	Glemco Design
Filament End Liner	55161	55161W	Glemco Design
	Arc Slit Identifier		
	Molybdenum	Tungsten	
Top Plate, Replaceable Slit	55064L	55064LW	Glemco Design
Standard Top Plate 2.00" Wide	55064	55064W	OEM E17014691
Standard Top Plate 1.75" Wide	55064A	55064AW	Glemco Design
	Disposable Arc Slit Identifier		
	Molybdenum	Tungsten	
Disposable Arc Slit	55155M	55155	Glemco Design
	Filament Identifier		
	Molybdenum	Tungsten	
Filament	51068	OEM E17036990	
Filament, Reduced $\phi$ .080	51068A	OEM E17036990	
Filament, Reduced $\phi$ .067	51068B	OEM E17036990	
Cerium Oxide Filament	51068C	OEM E17036990	
	Component Identifier		
	Molybdenum	Tungsten	
Boron Nitride Filament	51109A	OEM E17168272	
Repeller Insulator			
Standard Filament Insert	55101	OEM E17037001	
Headless Filament Insert (Shown)	55101A	Glemco Design	
Aluminum Oxide Insulator Nut	51110	OEM E17168280	
3 Piece Gas Tube with Replaceable Tip (Shown)	55109A	Glemco Design	
Replacement Gas Tube Tip, Ta	55109A-3	Glemco Design	
One Piece Ta Gas Tube	55103	OEM E17014833	
Standard Filament Clamp	55071	OEM E17036930	
$\phi$ .080 Filament Clamp	55071A	Glemco Design	
$\phi$ .067 Filament Clamp	55071B	OEM E17036930	

For more information or to speak with a sales engineer regarding your application call 512.259.0320 or E-mail sales@glemco.com.

