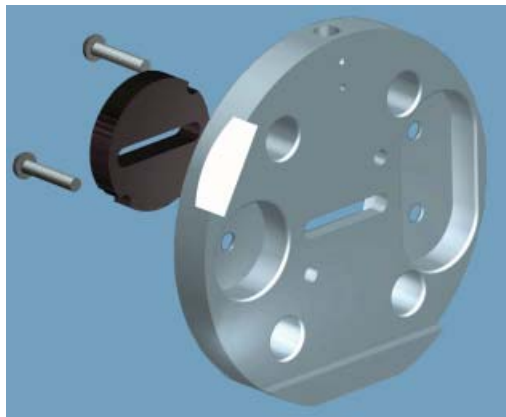
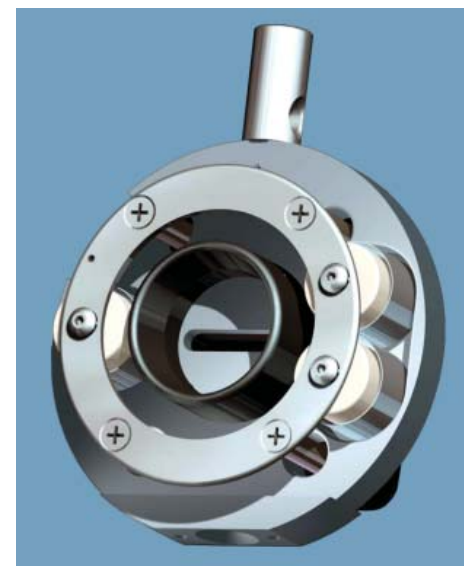
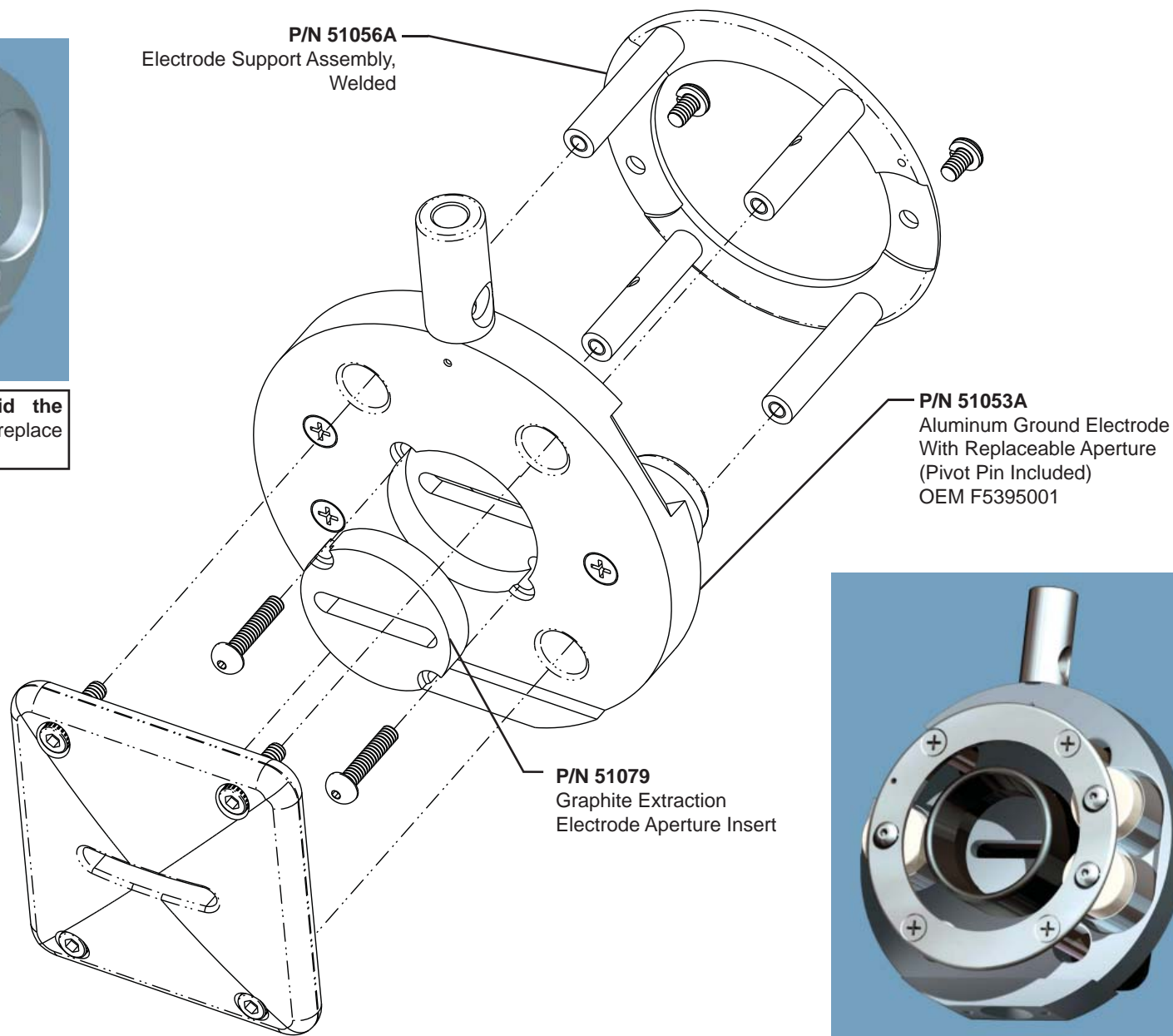




# Varian Ion Implanter - Models CF/DF3000, 350D/DE & 300XP Extraction Electrode Assembly (Alternate Assembly)



This extraction assembly will **avoid the removal of the source housing** to replace the aperture (P/N 51079).



[\\*Contact sales for more options](#)